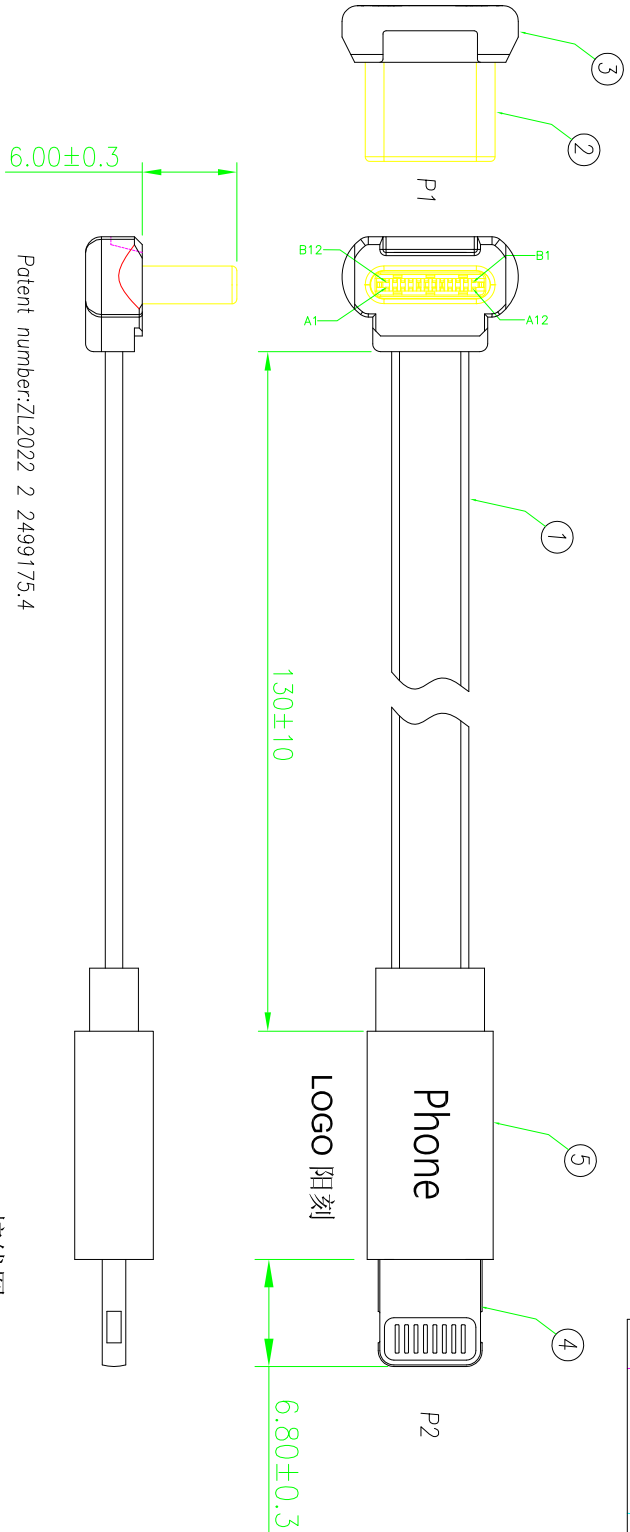
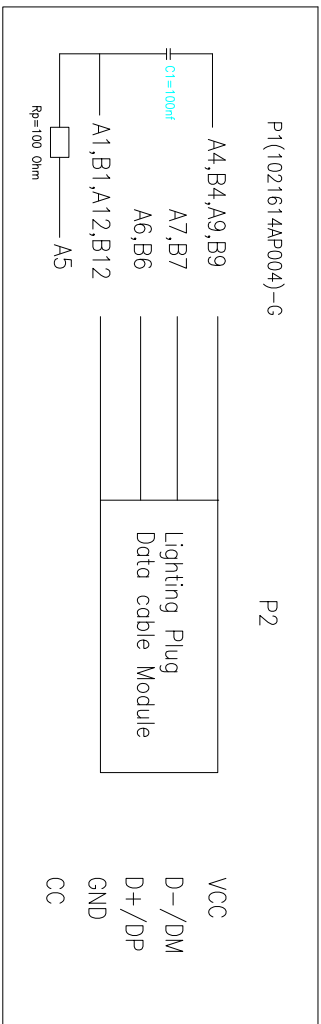


THIS INFORMATION IS CONFIDENTIAL AND IS DISCLOSED TO YOU ON CONDITION THAT NO FURTHER DISCLOSURE IS MADE BY YOU TO OTHER THAN TETULL PERSONNEL WITHOUT WRITTEN AUTHORIZATION FROM TETULL LTD.



接线图



- 备注:
- 材料:
- 线材: 漆包扁平线(8/0.08+Nylon)*2C+(30*0.1+Nylon)*2C 4.9*1.2mm 黑色, 70A TPE;
 - 连接器: USB Type C/M SOLDER TYPE, G/F; Mold No. C1545
 - 外模料: Customized PVC, Color: Black.
 - 连接器: 苹果数据插头; Mold No. C11003.
 - 外模料: PVC 45P, BLACK
- 电性测试:
- Conduction Test: 100% qualified, No Open/Short circuit phenomenon
 - 电流: 2.0A
 - 电压: DC 30V
 - 绝缘阻抗: 5 Million ohm Min

REV.	ECN NO OR DESCRIPTION	REVISED	DATE
A	PRODUCT RELEASE	JERVIS	20230610
B	Add 100nF capacitor	TOM	20231106

UNLESS OTHERWISE SPECIFIED TOLERANCES		TITLE:	
DECIMALS:	ANGLES:	USB TYPE C T头	T0 IP 8P直头0TG软扁线
X : ±0.5	X : ±2°	PART NO.	6122401AB001
X.X : ±0.3	X.X : ±1'	DWN	TOM
X.XX : ±0.2		CHKD	20231106
		APVD	
		SCALE 1:1	UNIT: mm
		SIZE: A4	SHEET: 10F1
		CUSTOMER COPY	REV. B