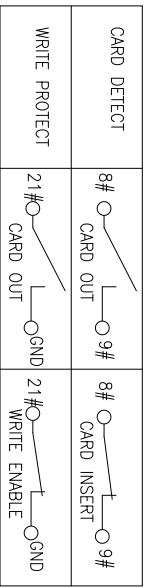
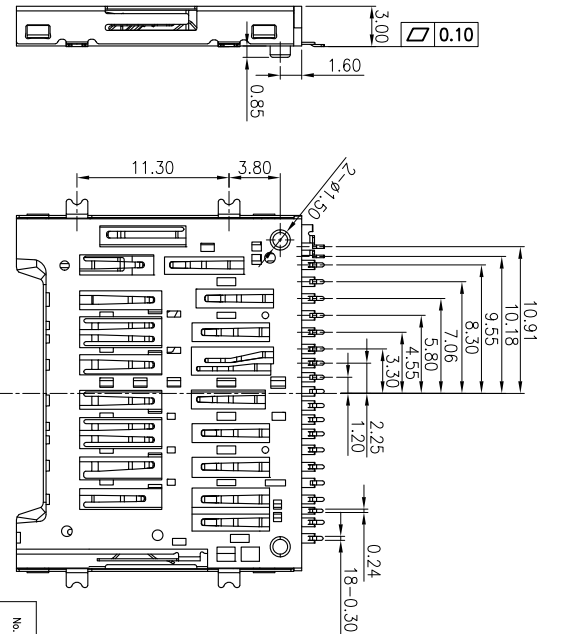
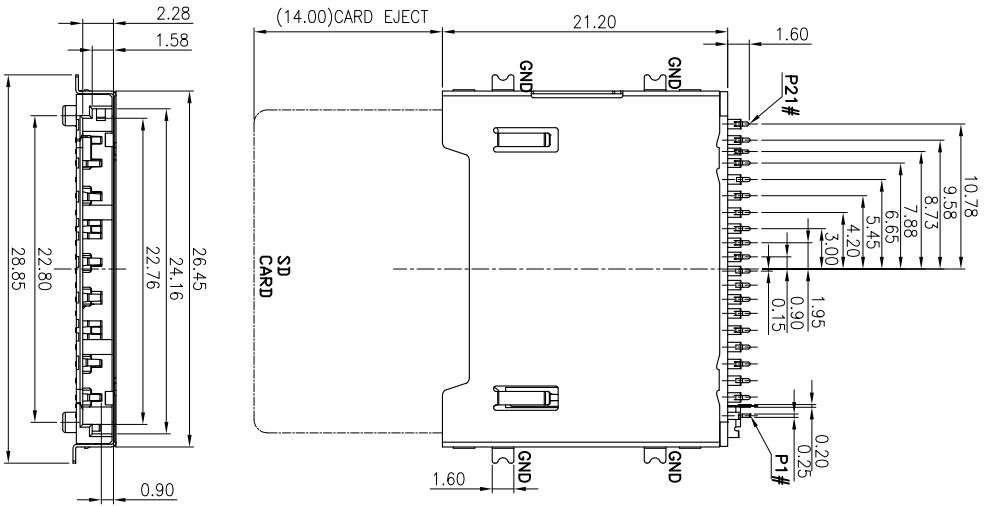
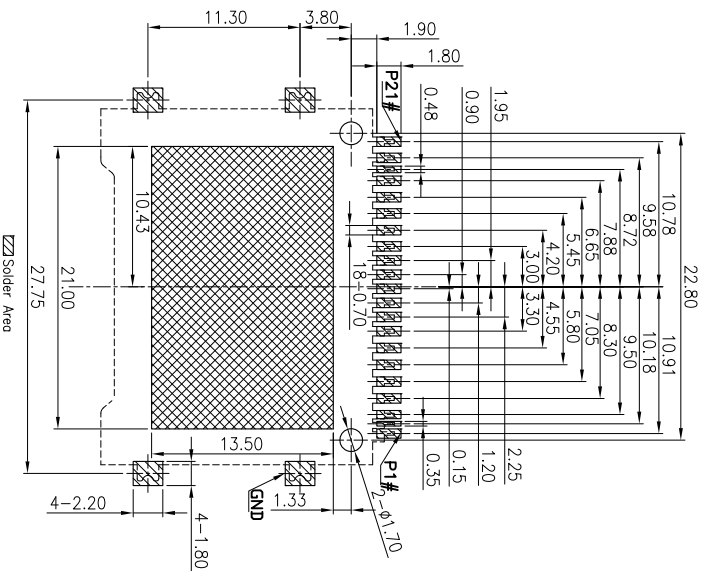


THIS INFORMATION IS CONFIDENTIAL AND IS DISCLOSED TO YOU ON CONDITION THAT NO FURTHER DISCLOSURE IS MADE BY YOU TO OTHER THAN TETULL PERSONNEL WITHOUT WRITTEN AUTHORIZATION FROM TETULL LTD.



Circuit Diagram for CARD Detect/Write Protect Switch



RECOMMENDED P.C.B. LAYOUT (TOP VIEW)  
TOLERANCE UNSPECIFIED ±0.05mm

- NOTE:
- ELECTRICAL CHARACTERISTICS
  - 1-1. VOLTAGE RATING: 5V MAX
  - 1-2. CURRENT RATING: 0.5A MAX
  - 1-3. CONTACT RESISTANCE: 100 milliohms MAX.
  - 1-4. INSULATION RESISTANCE: 1000 Megohms MIN.
  - 1-5. DIELECTRIC WITHSTANDING VOLTAGE: 500V AC
- FOR 1 MINUTE:
- MECHANICAL CHARACTERISTICS
  - 2-1. MATING FORCE: 30N MAX.
  - 2-2. UNMATING FORCE: 2N MIN.
  - 2-3. DURABILITY: 5000 CYCLES
  3. SALT SPRAY: 24H
  4. OPERATING TEMPERATURE: -40°C~85°C
  5. RoHS 2011/65/EU COMPLIANT.
  6. MPQ : 300PCS/REEL.

No.	SD MODE	PH ASSIGNMENT	SD EXPRESS MODE
P1	VSS3 SUPPLY VOLTAGE GROUND	UHS II MODE	SUPPLY VOLTAGE GROUND
P2	RESERVED		RESERVED
P3	DATA LINE B12		REFERENCE CLOCK REQUEST SIGNAL ALSO USED BY UHS SDR-SIMLES
P4	DATA LINE B12	DO+	FE-RESET IS A FUNCTIONAL RESET
P5	DATA LINE B12	DO-	NOT USED
P6	DATA LINE B12	DO+	NOT USED
P7	DATA LINE B12	DO-	NOT USED
P8	DATA LINE B12	DO+	NOT USED
P9	DATA LINE B12	DO-	NOT USED
P10	DATA LINE B12	DO+	NOT USED
P11	DATA LINE B12	DO-	NOT USED
P12	DATA LINE B12	DO+	NOT USED
P13	DATA LINE B12	DO-	NOT USED
P14	DATA LINE B12	DO+	NOT USED
P15	DATA LINE B12	DO-	NOT USED
P16	DATA LINE B12	DO+	NOT USED
P17	DATA LINE B12	DO-	NOT USED
P18	DATA LINE B12	DO+	NOT USED
P19	DATA LINE B12	DO-	NOT USED
P20	DATA LINE B12	DO+	NOT USED
P21	DATA LINE B12	DO-	NOT USED

NO	DESCRIPTION	QTY	MATERIAL	PLATING & COLOR
C	SHELL	1	SUS304 0.20t	1μ" MIN GOLD PLATED ON SOLDER
B	CONTACT	21	CS210 0.15t	1μ" MIN GOLD PLATED ON CONTACT AREA
A	HOUSING	1	LCP U94-V0	80μ" MIN Tin Plated on Solder tail 50μ" MIN Ni Underplated

UNLESS OTHERWISE SPECIFIED TOLERANCES

DECIMALS: ANGLES:

X.XX ±0.5 X ±2°

X.X ±0.3 X.X ±1°

X.XX ±0.2

TETULL logo

CUSTOMER COPY

SCALE 1:1

UNIT: mm

SHEET: 10F1

REV: A