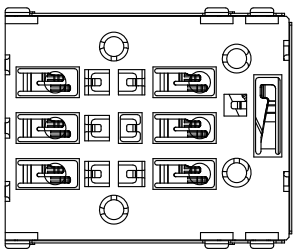
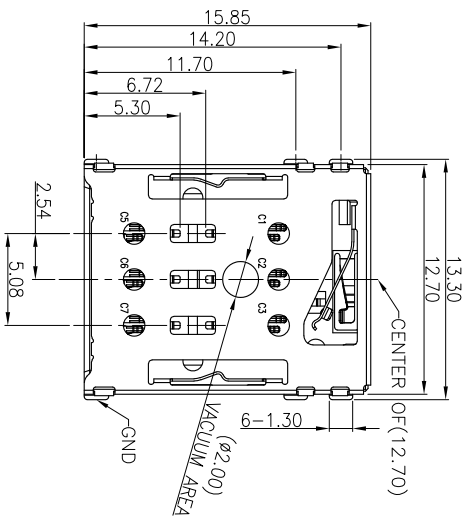
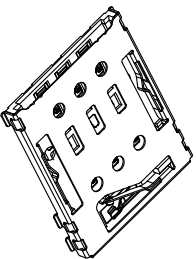
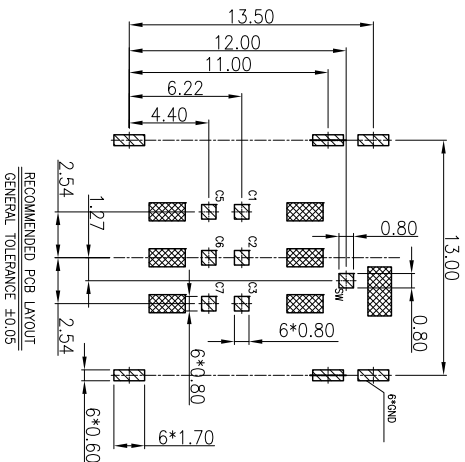
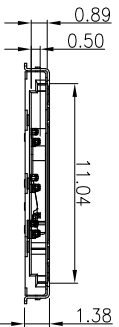


THIS INFORMATION IS CONFIDENTIAL AND IS DISCLOSED TO YOU ON CONDITION THAT NO FURTHER DISCLOSURE IS MADE BY YOU TO OTHER THAN TETULL PERSONNEL WITHOUT WRITTEN AUTHORIZATION FROM TETULL LTD.

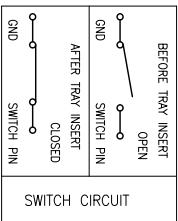
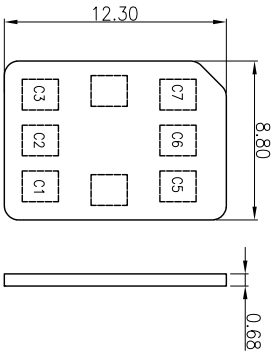
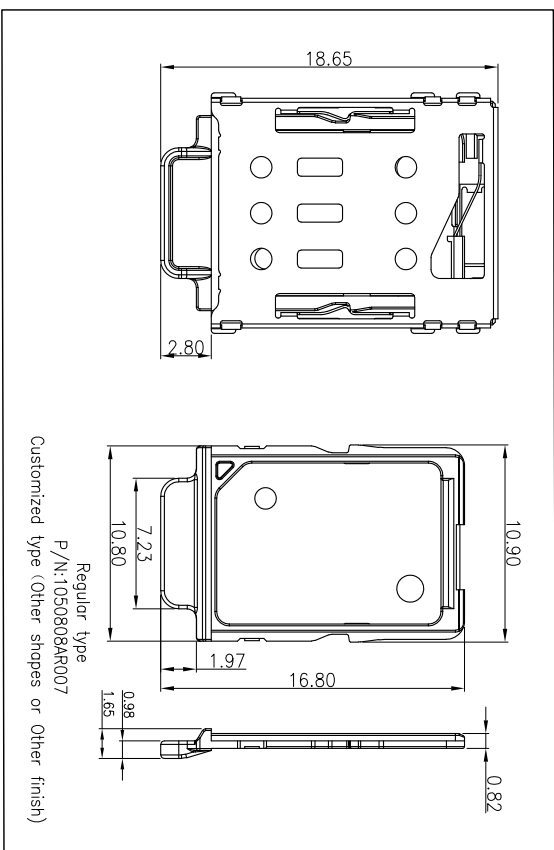


NOTE:

1. ELECTRICAL CHARACTERISTICS
  - 1-1. VOLTAGE RATING: 12V DC.
  - 1-2. CURRENT RATING: 1.0 A.
  - 1-3. CONTACT RESISTANCE: 60 milliohms MAX.
  - 1-4. INSULATION RESISTANCE: 1000 Megohms MIN.
  - 1-5. DIELECTRIC WITHSTANDING VOLTAGE: 500V AC FOR 1 MINUTE.
2. MECHANICAL CHARACTERISTICS
  - 2-1. CONTACT NORMAL FORCE:0.3~0.9N CONTACT.
  - 2-2. DURIBILITY:5000 CYCLES.
  - 3. SALT SPRAY: 24H.
  - 4. OPERATING TEMPERATURE:-40°C~85°C.
  - 5. RoHS 2011/65/EU COMPLIANT.
  - 6. MPO : 1500PCS/REEL.



Keep Out Area  
Solder Area



PIN#	Pin Assignment
C1	NC
C2	VCC
C3	RST
C5	CLK
C6	GND
C7	VPP
C7	I/O

C	SHELL	1	STAINLESS STEEL 0.12t	Gold plated on contact area All over Nickel Plated .
B	CONTACT	7	COPPER ALLOY 0.10t	Gold plated on contact area and Solder tail All over Nickel Plated .
A	HOUSING	1	LCP UL 94V-0	BLACK
NO	DESCRIPTION	QTY	MATERIAL	PLATING & COLOR
UNLESS OTHERWISE SPECIFIED TOLERANCES				
DECIMALS:	ANGLES:			
X : ±0.5	X : ±2°			
X.X : ±0.3	X.X : ±1°			
X.XX : ±0.2				
TITLE: NANO SIM CARD 6+1P		CUSTOMER COPY		
PART NO. 1050808AR004		SCALE 1:1		
DWG ZHARKO 2024.04.11		SIZE: A4		
CHKD		SHEET: 10F1		
APVD		REV. B		

REV.	ECN NO OR DESCRIPTION	REVISED	DATE
A	PRODUCT RELEASE	BROKEN	2021.11.15
B	変更推荐卡托	ZHARKO	2024.04.11