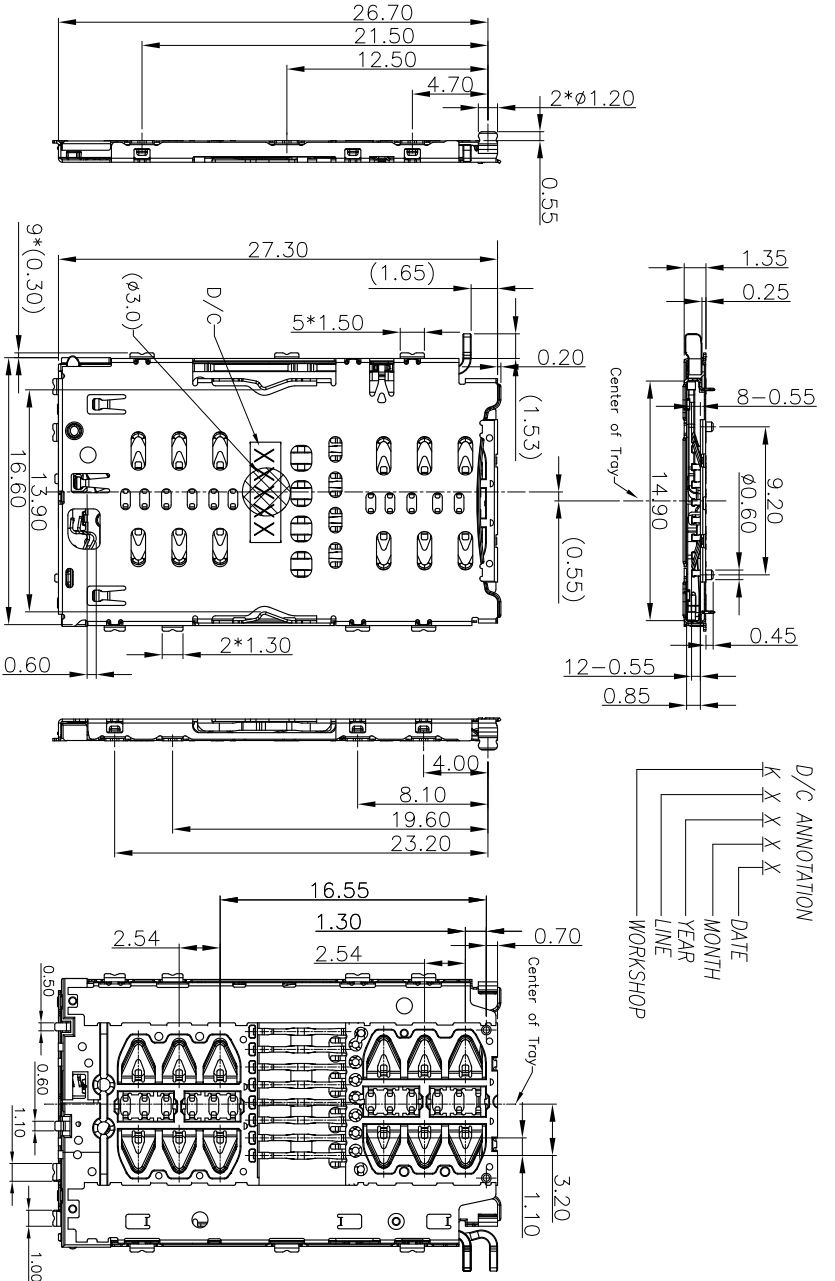
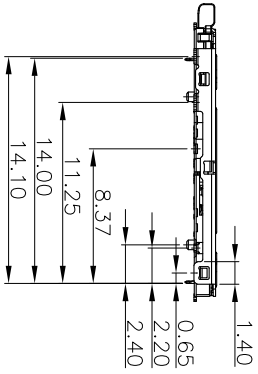
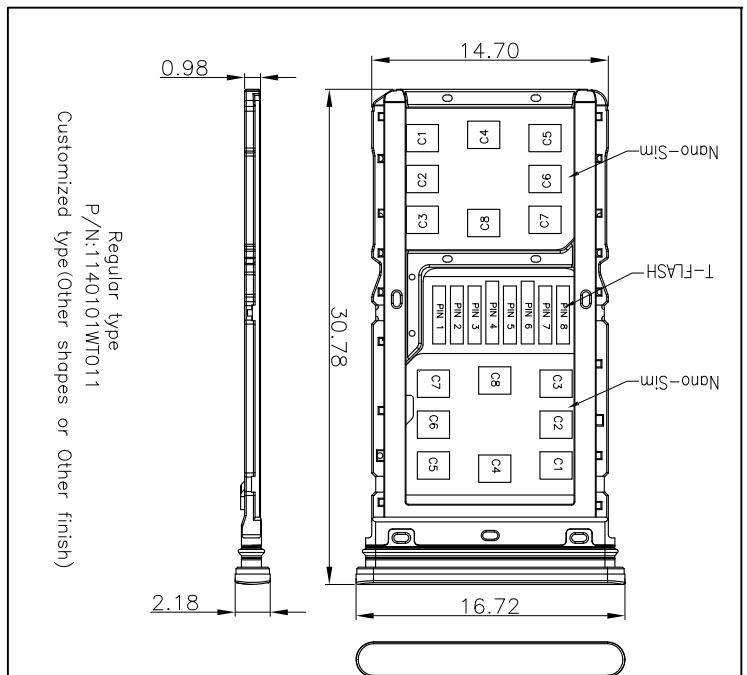


THIS INFORMATION IS CONFIDENTIAL AND IS DISCLOSED TO YOU ON CONDITION THAT NO FURTHER DISCLOSURE IS MADE BY YOU TO OTHER THAN TETULL PERSONNEL WITHOUT WRITTEN AUTHORIZATION FROM TETULL LTD.



D/C ANNOTATION
 K X X X X
 DATE
 MONTH
 YEAR
 LINE
 WORKSHOP



- SPECIFICATIONS :
- ELECTRICAL CHARACTERISTICS
 - CONTACT RESISTANCE: 50 milliohms MAX.
 - INSULATION RESISTANCE: 1,000 Megohms MIN.
 - DIELECTRIC WITHSTANDING VOLTAGE: 500V AC FOR 1 MINUTE.
 - VOLTAGE RATING:10V
 - CURRENT RATING:0.3A
 - DURABILITY: 5000 CYCLES
 - MPO: 1200PCS/REEL
 - RoHS 2002/95/EC COMPLIANT.

G	DETECT SWITCH	COPPER ALLOY	1	3u"Min Au PLATING ON CONTACT AREA, 2u"Min Au PLATING ON SOLDER TAILS, Ni UNDERPLATING OVERALL
F	DETECT LEVER	COPPER ALLOY	1	3u"Min Au PLATING ON CONTACT AREA, 2u"Min Au PLATING ON SOLDER TAILS, Ni UNDERPLATING OVERALL
E	EJECT LEVER	STAINLESS STEEL	1	
D	EJECT BAR	STAINLESS STEEL	1	
C	SHELL	STAINLESS STEEL	1	2u"Min Au PLATING ON SOLDER TAILS, Ni UNDERPLATING OVER ALL
B	CONTACT	COPPER ALLOY	20	3u"Min Au PLATING ON CONTACT AREA 2u"Min Au PLATING ON SOLDER TAILS Ni UNDERPLATING OVERALL
A	HOUSING	THERMOPLASTIC UL94 V-0	1	BLACK

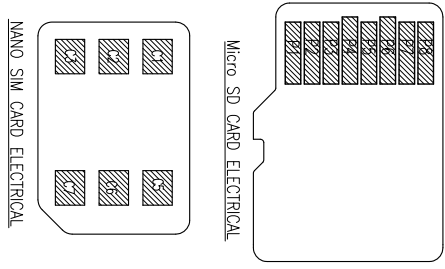
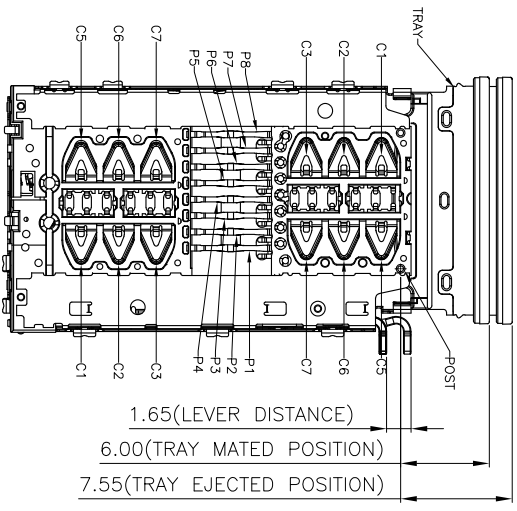
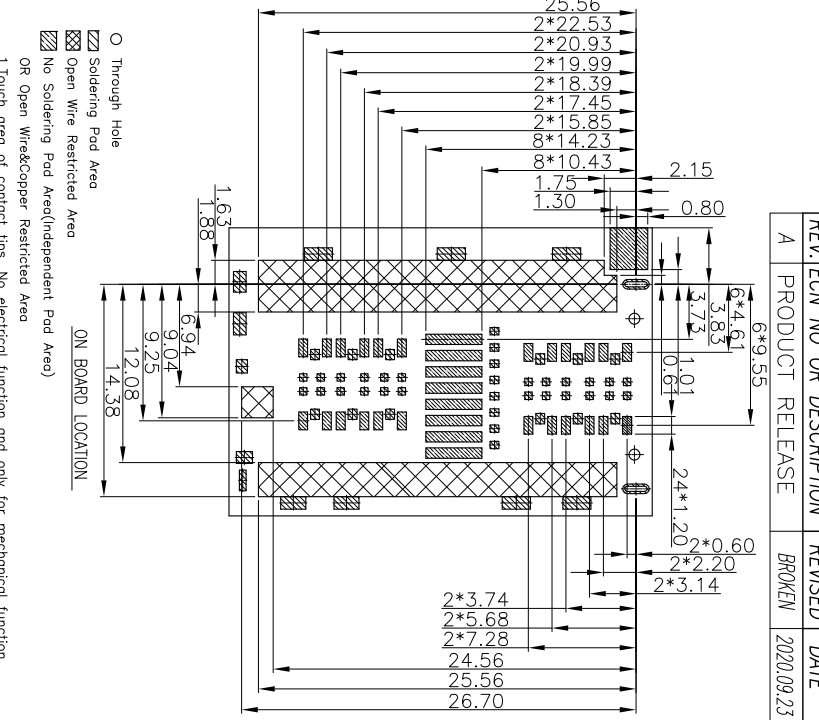
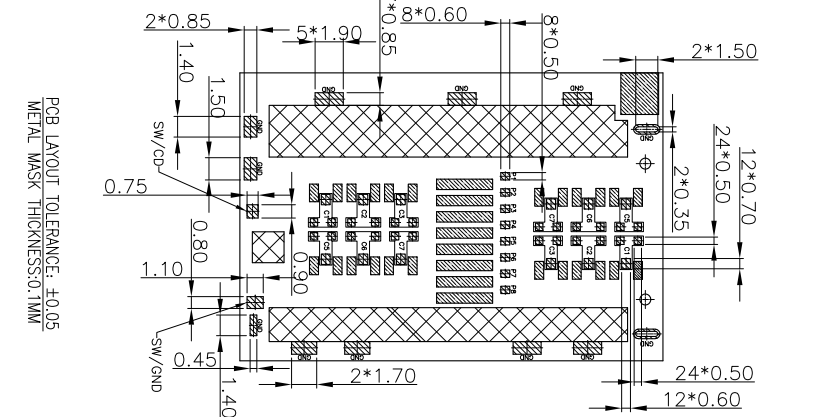
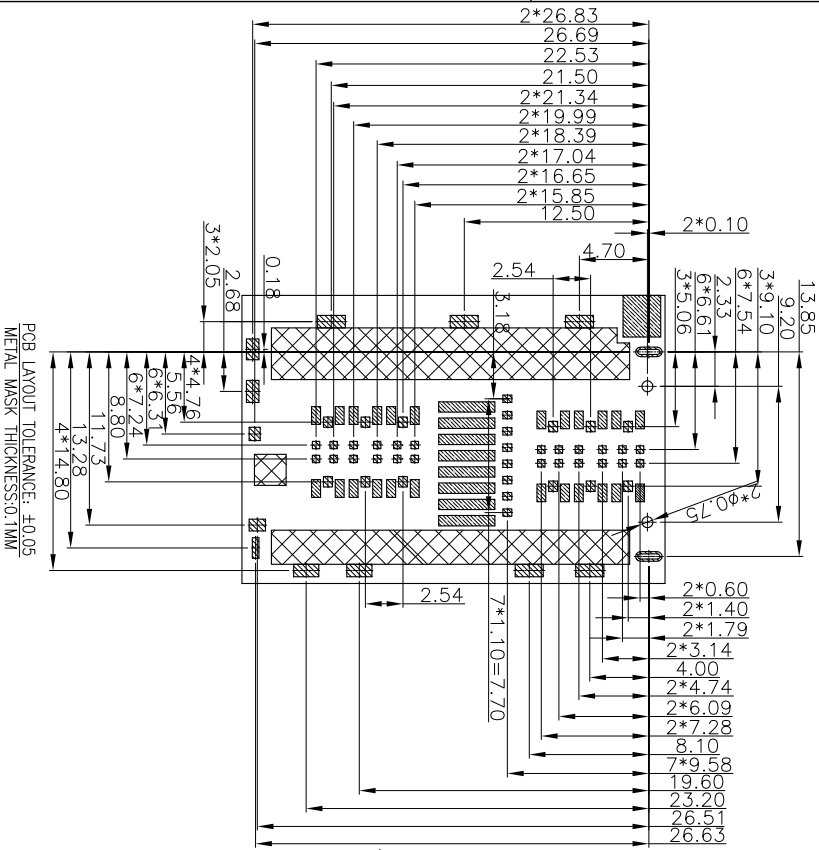
UNLESS OTHERWISE SPECIFIED TOLERANCES

DECIMALS:	ANGLES:
X :±0.5	X :±2°
X.X :±0.3	X.X :±1°
X.XX :±0.2	

TITLE: NANO SIM*2+TF CARD 20P
 三选二+选中间扣点 1.35H
 PART NO. 1052001BR001
 DWN BROKEN 2020.09.23
 CHKD
 APVD
 SCALE 1:1
 UNIT: mm
 SIZE: A4
 SHEET: 10F2
 REV: A

REV/ECN NO	OR DESCRIPTION	REVISED	DATE
A	PRODUCT RELEASE	BROKEN	2020.09.23

THIS INFORMATION IS CONFIDENTIAL AND IS DISCLOSED TO YOU ON CONDITION THAT NO FURTHER DISCLOSURE IS MADE BY YOU TO OTHER THAN TETULL PERSONNEL WITHOUT WRITTEN AUTHORIZATION FROM TETULL LTD.

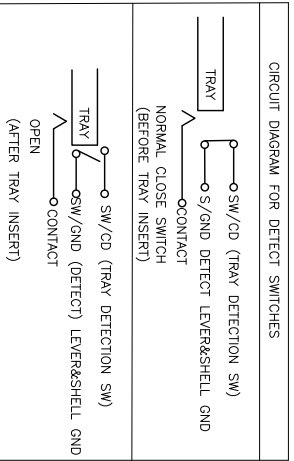


PN# NO.	PIN Assignment
P1	DATA2
P2	CD/DAT3
P3	CMD
P4	VDD
P5	CLK
P6	VSS
P7	DATA1
P8	DATA1
SIM pin Assignment	
PN#	Name
C1	VCC
C2	RST
C3	CLK
C5	GND
C6	VPP
C7	I/O

PCB LAYOUT TOLERANCE: ±0.05
METAL MASK THICKNESS: 0.1MM

PCB LAYOUT TOLERANCE: ±0.05
METAL MASK THICKNESS: 0.1MM

○ Through Hole
 [Hatched] Soldering Pad Area
 [Cross-hatched] Open Wire Restricted Area
 [Diagonal lines] No Soldering Pad Area (Independent Pad Area)
 [Dotted] OR Open Wire/Copper Restricted Area
 1. Touch area of contact tips. No electrical function and only for mechanical function.
 2. No first PCB—layout circuits in the area.



UNLESS OTHERWISE SPECIFIED TOLERANCES
 DECIMALS: .X ±0.5 X ±.2
 .XX ±0.3 X.X ±.1
 .XXX ±0.2

TITLE: NANO SIM*2+TF CARD 20P 三选二 卡座中间扣点 1.35H	
PART NO.	1052001BR001
DWN	BROKEN
CHKD	2020.09.23
APVD	
SCALE 1:1	UNIT: mm
SIZE: A4	SHEET: 20F2
CUSTOMER COPY	REV: A

REV/ECN NO	OR DESCRIPTION	REVISED	DATE
A	PRODUCT RELEASE	BROKEN	2020.09.23