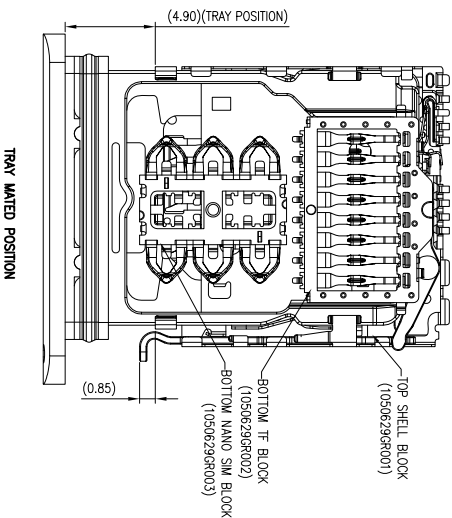
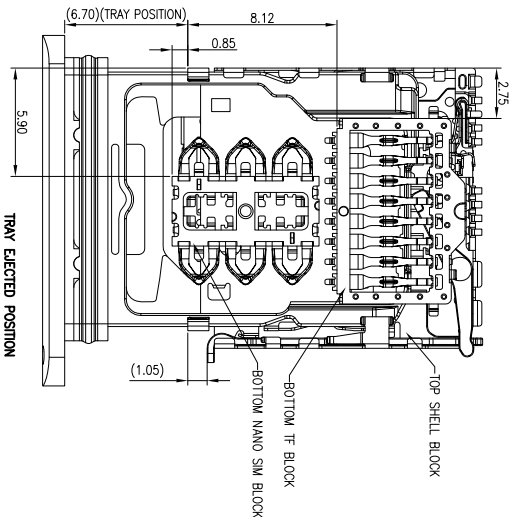
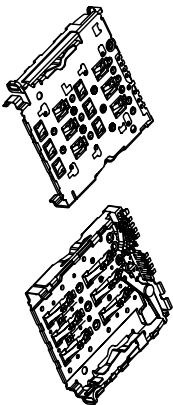
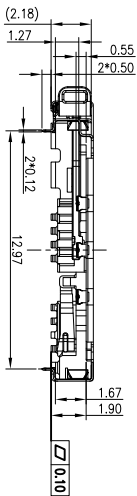
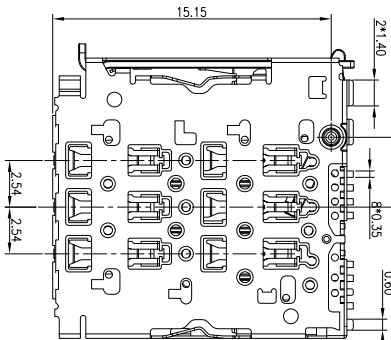
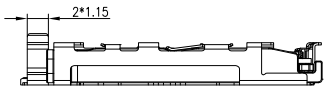
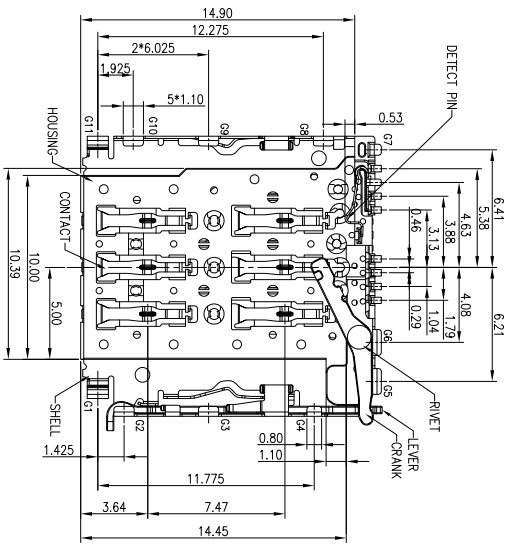
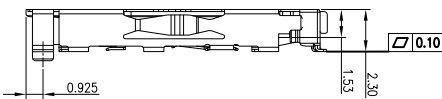
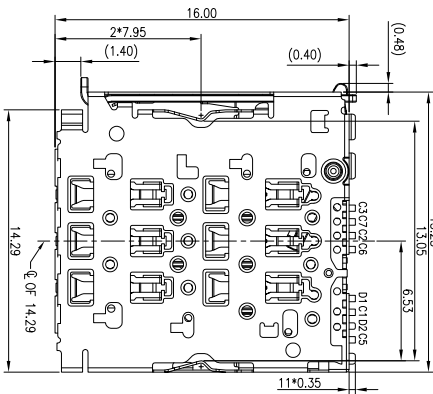


THIS INFORMATION IS CONFIDENTIAL AND IS DISCLOSED TO YOU ON CONDITION THAT NO FURTHER DISCLOSURE IS MADE BY YOU TO OTHER THAN TETULL PERSONNEL WITHOUT WRITTEN AUTHORIZATION FROM TETULL LTD.



CIRCUIT DIAGRAM FOR DETECTION SWITCH OF TRAY

TRAY INSERTION CONDITION	TRAY DETECT SWITCH	CIRCUIT TRAY S/W SWITCH TERMINAL
WITHOUT TRAY	CLOSE	D1 — D2
TRAY INSERTION	OPEN	D1 — D2

- 1.SPECIFICATIONS:
- 1-1 VOLTAGE RATING: 10V;
 - 1-2 CURRENT RATING: 0.5K;
 - 1-3 INSULATION RESISTANCE: 1,000Ω MIN;
 - 1-4 CONTACT RESISTANCE: 150mΩ MAX;
 - 1-5 DURABILITY: 5,000 CYCLES;
 - 1-6 PACKING NUMBER: 900PCS/REEL.
- 2.Rohs 2002/95/EC COMPLIANT.

G	RIVET	1	STAINLESS STEEL	
F	CRANK	1	STAINLESS STEEL	
E	LEVER	1	STAINLESS STEEL	
D	DETECT PIN	1	COPPER ALLOY	3u" Au plated on contact area 1u" Au plated on Solder tail All over Nickel Plated.
C	SHELL	1	STAINLESS STEEL	1u" Au plated on Solder tail All over Nickel Plated.
B	CONTACT	6	COPPER ALLOY	15u" Au plated on contact area 1u" Au plated on Solder tail All over Nickel Plated.
A	HOUSING	1	TEMPERATURE PLASTIC U94-W0	BLACK
NO	DESCRIPTION	QTY	MATERIAL	PLATING & COLOR

UNLESS OTHERWISE SPECIFIED TOLERANCES

DECIMALS: ANGLES:

X : ±0.5 X : ±2
X.X : ±0.3 X.X : ±1
X.XX : ±0.2



CUSTOMER COPY

SCALE 1:1

UNIT: mm

SHEET: 10F2

REV: A

ROHS Compliant

THIS INFORMATION IS CONFIDENTIAL AND IS DISCLOSED TO YOU ON CONDITION THAT NO FURTHER DISCLOSURE IS MADE BY YOU TO OTHER THAN TETULL PERSONNEL WITHOUT WRITTEN AUTHORIZATION FROM TETULL LTD.

1.SPECIFICATIONS:
 1-1.VOLTAGE RATING: 10V;
 1-2.CURRENT RATING:0.5A;
 1-3.INSULATION RESISTANCE: 1,000MΩ MIN;
 1-4.CONTACT RESISTANCE: 50mΩ MAX;
 1-5.DURABILITY: 5,000 CYCLES;
 2.PACKING NUMBER : 3000PCS/REEL.

B	CONTACT	8	COPPER ALLOY	15u" Au plated on contact area 1u" Au plated on Solder toll All over Nickel Plated.
A	HOUSING	1	TEMPERATURE PLASTIC U94-V0	BLACK
NO	DESCRIPTION	QTY	MATERIAL	PLATING & COLOR
UNLESS OTHERWISE SPECIFIED TOLERANCES				
DECIMALS:	ANGLES:			
X : ±0.5	X : ±2°			
X.X : ±0.3	X.X : ±1°			
X.XX : ±0.2				
TITLE: NANO SIM+2+TF CARD三选二双 面卡座-TF BLOCK 8P 0.24H		PART NO.	1050629GR002	
DWG		BROKEN	2021.03.22	
CHKD				
APVD				
SCALE 1:1	UNIT: mm			
CUSTOMER COPY	SIZE: A4	SHEET: 10F2	REV: A	

REV.	ECN NO OR DESCRIPTION	REVISED	DATE
A	PRODUCT RELEASE	BROKEN	2021.03.22

TETULL CORPORATION

ROHS Compliant

THIS INFORMATION IS CONFIDENTIAL AND IS DISCLOSED TO YOU ON CONDITION THAT NO FURTHER DISCLOSURE IS MADE BY YOU TO OTHER THAN TETULL PERSONNEL WITHOUT WRITTEN AUTHORIZATION FROM TETULL LTD.

1 2 3 4 5 6 7 8

1 2 3 4 5 6 7 8

SOLDERING PAD AREA
 ISOLATED PAD AREA (POSSIBILITY TOUCH OF COMPONENTS ON PCB)
 RECOMMEND PCB LAYOUT TOLERANCE:±0.05
 RECOMMEND MASK THICKNESS:0.10MM

TF CARD ELECTRICAL

REV.	ECN NO OR DESCRIPTION	REVISED	DATE
A	PRODUCT RELEASE	BROKEN	2021.03.22

TF Pin Assignment	Pin#	Name
T1		DAT2
T2		CD/DAT3
T3		CMD
T4		VDD
T5		CLK
T6		VSS
T7		DAT0
T8		DAT1
T9~T12		GND

UNLESS OTHERWISE SPECIFIED TOLERANCES

DECIMALS:	ANGLES:
X :±0.5	X :±2°
X.X :±0.3	X.X :±1°
X.XX :±0.2	

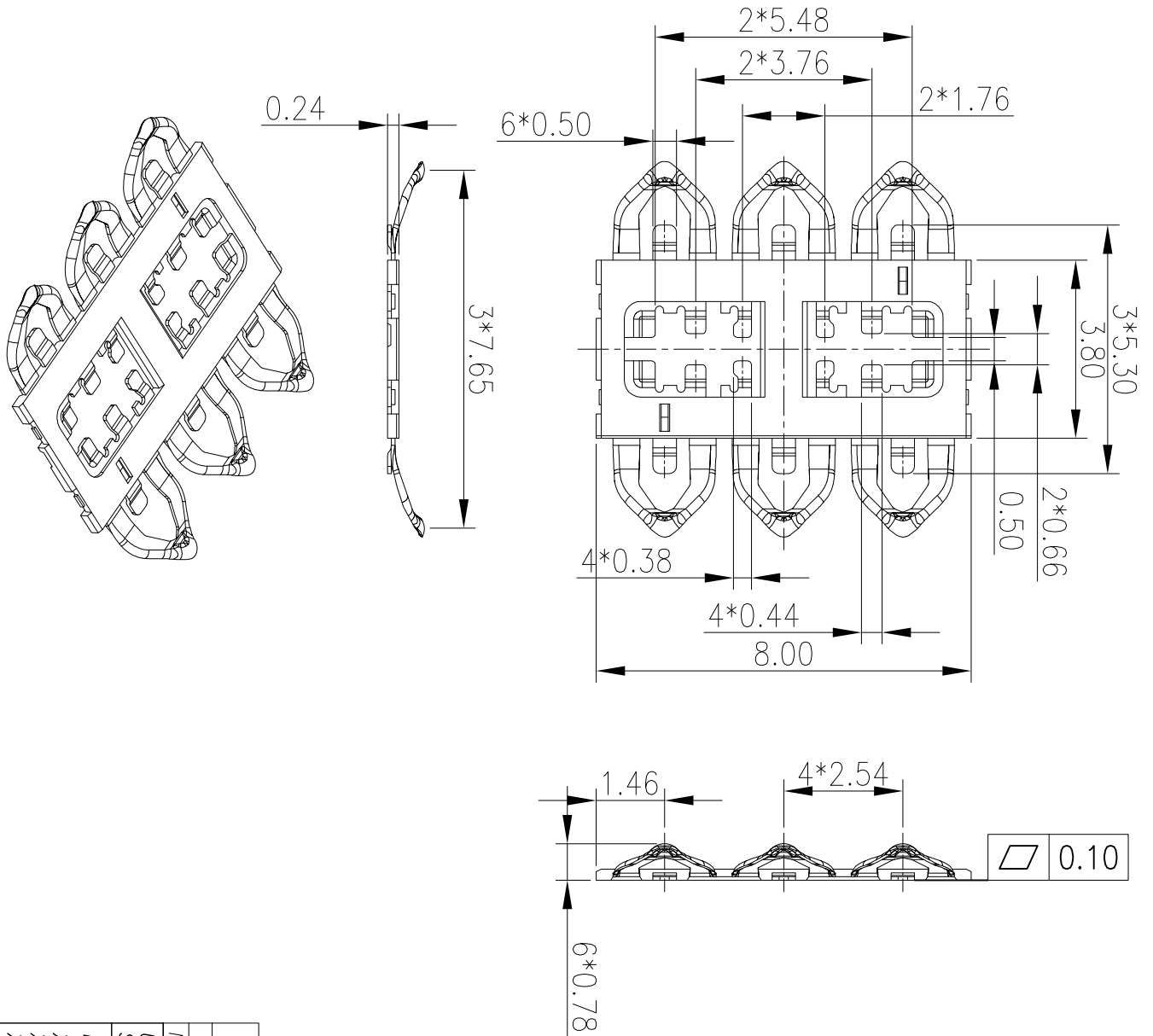
TITLE: NANO SIM+2+TF CARD三选二款
面卡版-TF BLOCK 8P 0.24H

PART NO.	1050629GR002
DWG	BROKEN
CHKD	2021.03.22
APVD	
SCALE 1:1	UNIT: mm
SIZE: A4	SHEET: 20F2
CUSTOMER COPY	REV: A

TETULL CORPORATION

THIS INFORMATION IS CONFIDENTIAL AND IS DISCLOSED TO YOU ON CONDITION THAT NO FURTHER DISCLOSURE IS MADE BY YOU TO OTHER THAN TETULL PERSONNEL WITHOUT WRITTEN AUTHORIZATION FROM TETULL LTD.

ROHS Compliant



REV.	ECN NO OR DESCRIPTION	REVISED	DATE
A	PRODUCT RELEASE	BROKEN	2021.03.22

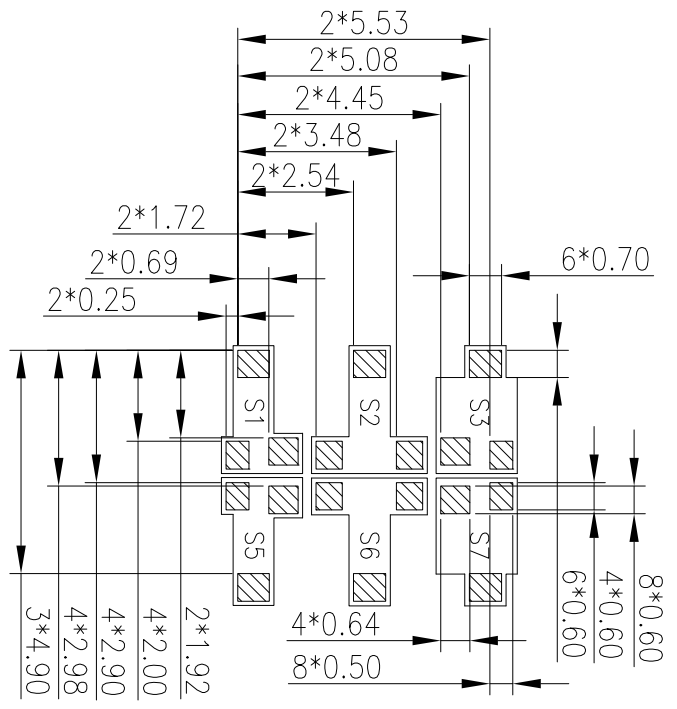
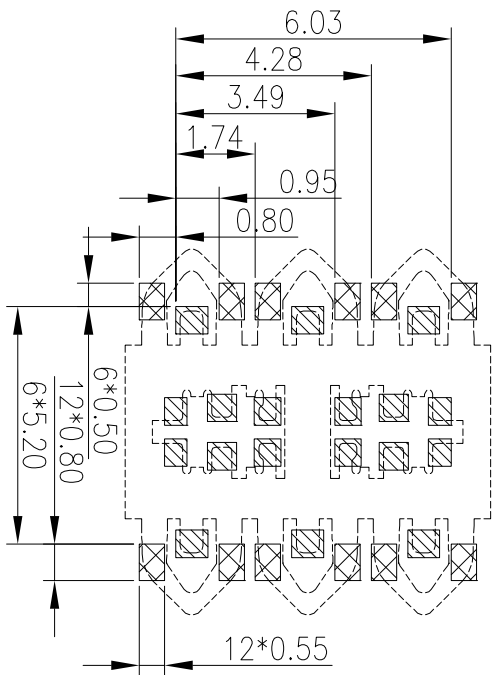
- 1.SPECIFICATIONS:
 1-1.VOLTAGE RATING: 10V;
 1-2.CURRENT RATING:0.5A;
 1-3.INSULATION RESISTANCE: 1,000MΩ MIN;
 1-4.CONTACT RESISTANCE: 50mΩ MAX;
 1-5.DURABILITY: 5,000 CYCLES;
 2.PACKING NUMBER : 4000PCS/REEL.

B	CONTACT	6	COPPER ALLOY	15μ Au plated on contact area 1μ Au plated on Solder toll All over Nickel Plated.
A	HOUSING	1	TEMPERATURE PLASTIC U94-V0	BLACK
NO	DESCRIPTION	QTY	MATERIAL	PLATING & COLOR
UNLESS OTHERWISE SPECIFIED TOLERANCES				
DECIMALS:		ANGLES:		
X	:±0.5	X	:±2°	
X.X	:±0.3	X.X	:±1°	
X.XX	:±0.2			
TITLE: NANO SIM+2+TF CARD 三选二双面卡		PART NO. 1050629GR003		
DWG		BROKEN		
CHKD		2021.03.22		
APVD				
SCALE 1:1		UNIT: mm		
SIZE: A4		SHEET: 10F2		
CUSTOMER COPY		REV: A		



THIS INFORMATION IS CONFIDENTIAL AND IS DISCLOSED TO YOU ON CONDITION THAT NO FURTHER DISCLOSURE IS MADE BY YOU TO OTHER THAN TETULL PERSONNEL WITHOUT WRITTEN AUTHORIZATION FROM TETULL LTD.

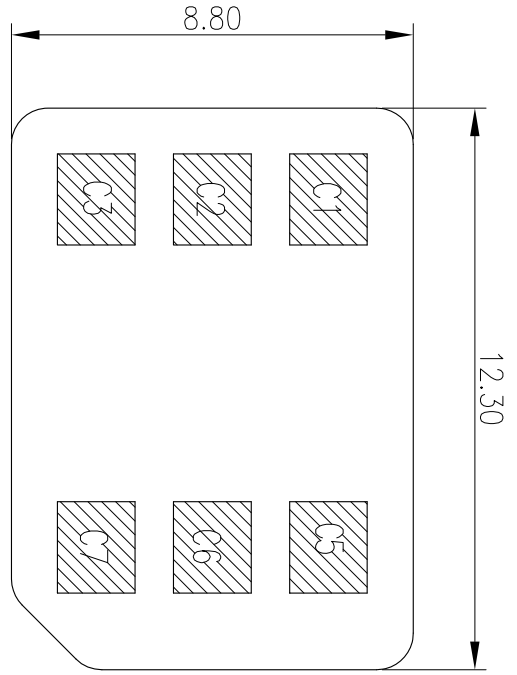
ROHS Compliant



SOLDERING PAD AREA
 ISOLATED PAD AREA (POSSIBILITY TOUCH OF COMPONENTS ON PCB)

RECOMMEND PCB LAYOUT TOLERANCE: ±0.05
 RECOMMEND MASK THICKNESS: 0.10MM
 SIM BLOCK
 PIN DEFINITION

SIM Pin#	Pin Assignment
S1	VCC
S2	RST
S3	CLK
S5	GND
S6	VPP
S7	I/O



NANO SIM CARD ELECTRICAL

REV.	ECN NO OR DESCRIPTION	REVISED	DATE
A	PRODUCT RELEASE	BROKEN	2021.03.22

UNLESS OTHERWISE SPECIFIED TOLERANCES:
 DECIMALS: ANGLES:
 X : ±0.5 X : ±2'
 X.X : ±0.3 X.X : ±1'
 X.XX : ±0.2



TITLE: NANO SIM+2+TF CARD 三选二双面卡 ※NANO SIM BLOCK 6P 0.24H	
PART NO.	10506296R003
DWG	BROKEN
CHKD	2021.03.22
APVD	
SCALE 1:1	UNIT: mm
SIZE: A4	SHEET: 10F2
CUSTOMER COPY	REV: A