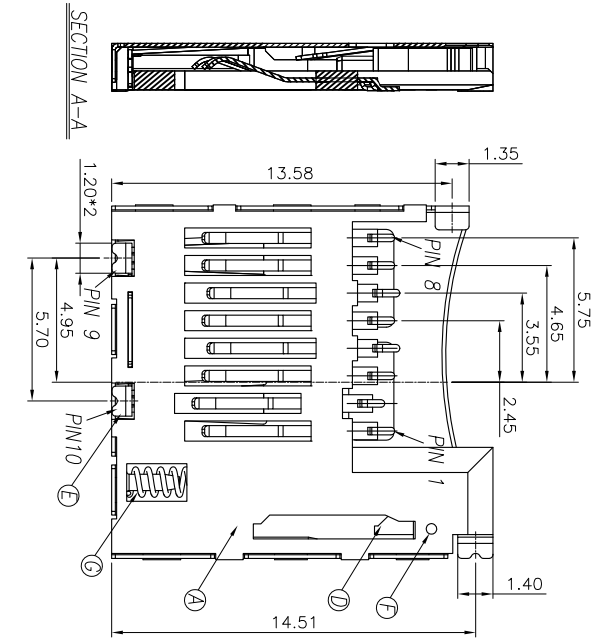
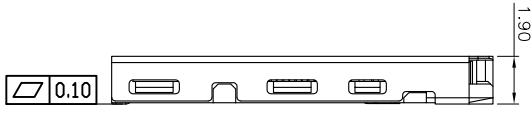
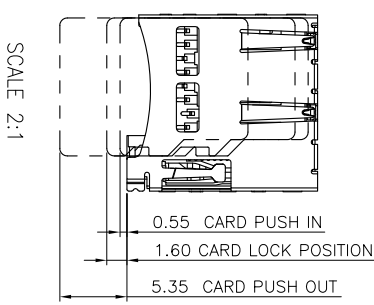
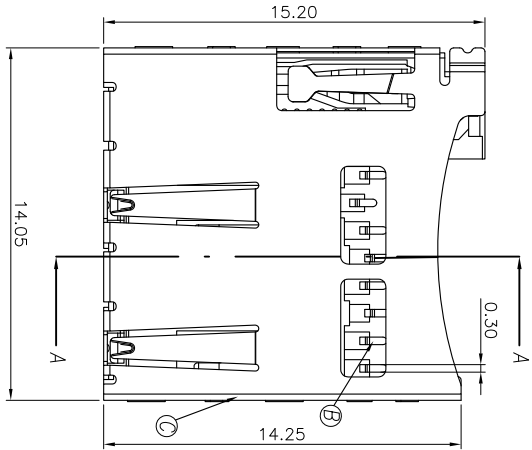
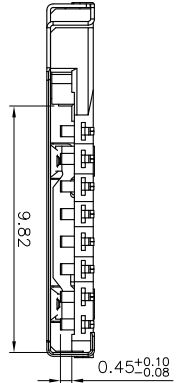
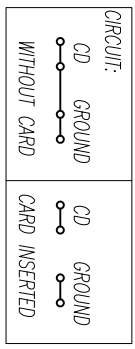


THIS INFORMATION IS CONFIDENTIAL AND IS DISCLOSED TO YOU ON CONDITION THAT NO FURTHER DISCLOSURE IS MADE BY YOU TO OTHER THAN TETULL PERSONNEL WITHOUT WRITTEN AUTHORIZATION FROM TETULL LTD.

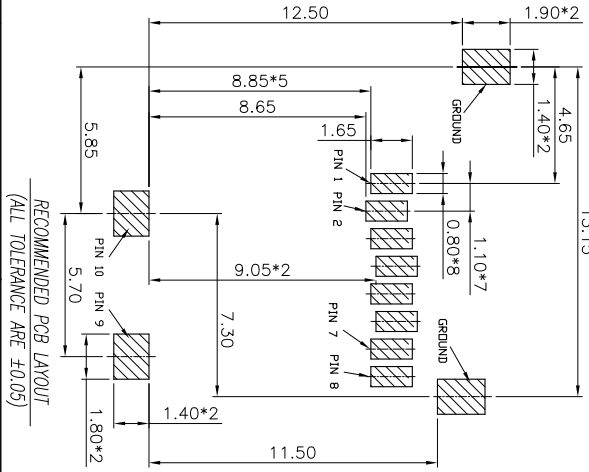


Pin No.	Pin assignment
PIN1	DAT2
PIN2	CD/DAT3
PIN3	CMD
PIN4	VDD
PIN5	CLK
PIN6	VSS
PIN7	DAT0
PIN8	DAT1



NOTE:

- ELECTRICAL CHARACTERISTICS
 - VOLTAGE RATING: 10V DC.
 - CURRENT RATING: 0.5 A.
 - CONTACT RESISTANCE: 80 milliohms MAX.
 - INSULATION RESISTANCE: 1000 Megohms MIN.
 - DIELECTRIC WITHSTANDING VOLTAGE: 500V AC FOR 1 MINUTE.
- MECHANICAL CHARACTERISTICS
 - RETENTION FORCE: 100gf MIN./PIN.
 - DURABILITY: 5000 CYCLES.
 - SALT SPRAY: 24H.
 - OPERATING TEMPERATURE: -40C~85C.
 - ROHS 2002/95/EC COMPLIANT.
 - MPQ : 1000PCS/REEL



G	SPRING	1	SMP
F	GUIDE PIN	1	STAINLESS STEEL 0.15t
E	PEG	1	COPPER ALLOY 0.15t
D	SLIDE	1	TEMPERATURE PLASTIC U94-W0 BLACK
C	SHELL	1	STAINLESS STEEL 0.15t
B	CONTACT	8	COPPER ALLOY 0.15t
A	HOUSING	1	HIGH-TEMPERATURE PLASTIC U94-W0 BLACK

UNLESS OTHERWISE SPECIFIED TOLERANCES		TITLE:	
DECIMALS:	ANGLES:	T-FLASH CONN PUSH TRP(Normal Close)	PART NO.
X : ±0.5	X : ±2°		1060802GR001
X.X : ±0.3	X.X : ±1°		DWG
X.XX : ±0.2			JAMES
			2019.02.13
			CHKD
			APVD
			SCALE 1:1
			UNIT: mm
			SHEET: 10F1
			REV: B

