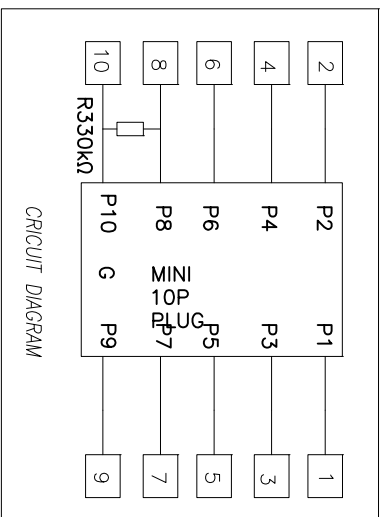
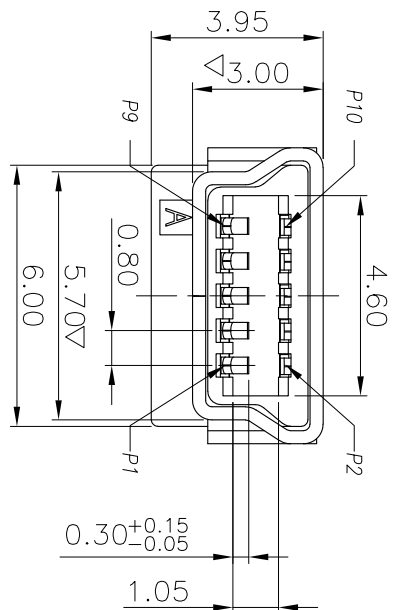
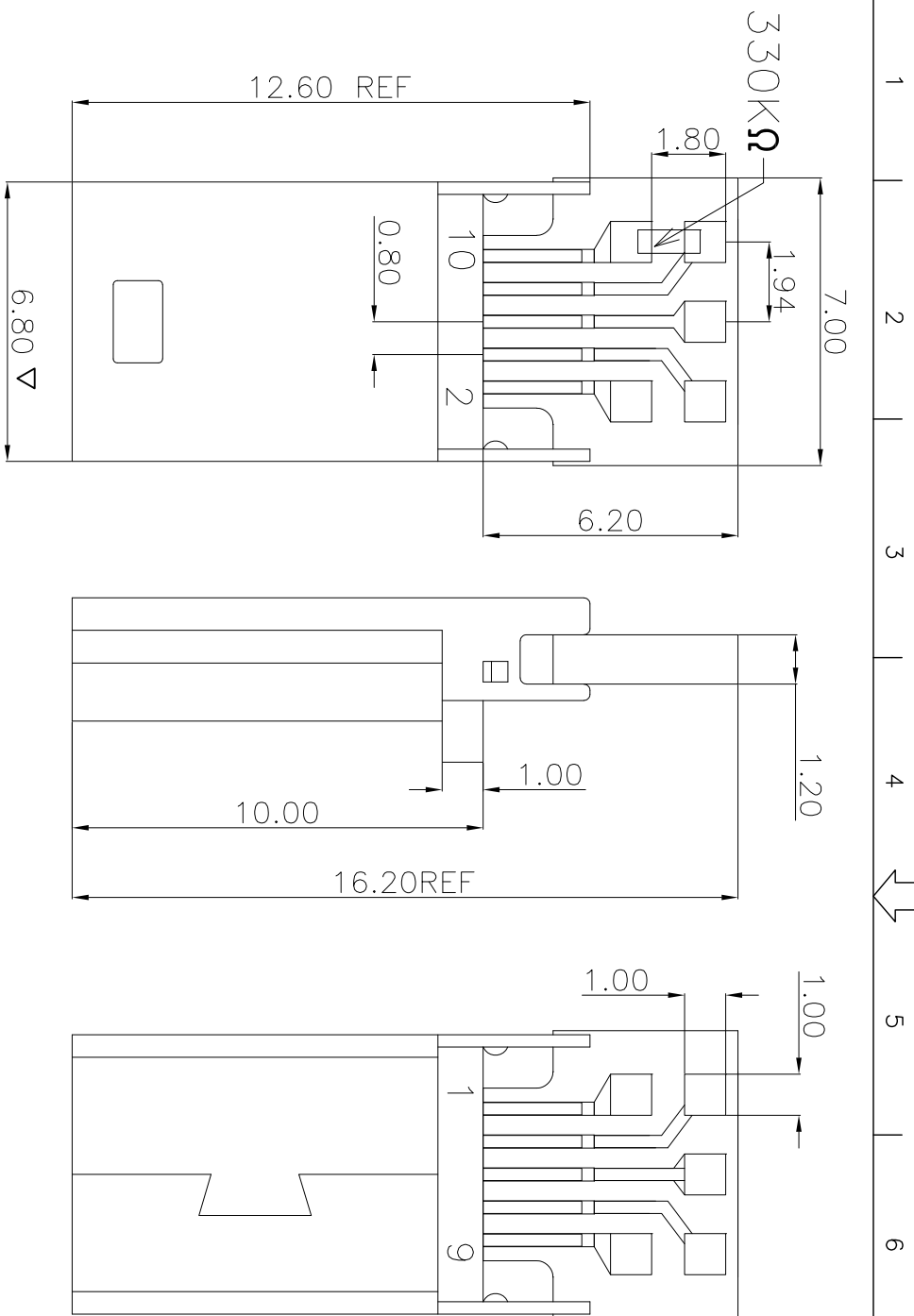


THIS INFORMATION IS CONFIDENTIAL AND IS DISCLOSED TO YOU ON CONDITION THAT NO FURTHER DISCLOSURE IS MADE BY YOU TO OTHER THAN TETULL PERSONNEL WITHOUT WRITTEN AUTHORIZATION FROM TETULL LTD.



NOTE:

1. ELECTRICAL CHARACTERISTICS
  - 1-1. VOLTAGE RATING:30V AC
  - 1-2. CURRENT RATING:2.0A
  - 1-3. CONTACT RESISTANCE: 50 milliohms MAX.
  - 1-4. INSULATION RESISTANCE: 100 Megohms MIN.
  - 1-5. DIELECTRIC WITHSTANDING VOLTAGE: 500V AC FOR 1 MINUTE.
2. MECHANICAL CHARACTERISTICS
  - 2-1. MATING&UNMATING FORCE: 0.7kgf~3.5kgf
  - 2-2. DURIBILITY:10000CYCLES
  - 3. SALT SPRAY: 24H
  - 4. OPERATING TEMPERATURE: -40°C~85°C
  - 5. ROHS 2002/95/EC COMPLIANT.
  - 6. CRITICAL DIMENSIONS : ▽

REV	ECN NO OR DESCRIPTION	REVISED	DATE
A	PRODUCT RELEASE	MKE	2013.03.27

D	PCB	1	FR4-1	
C	SHELL	1	SPEC 0.30t	Au PLATING
B	CONTACT	10	C5191 0.20t	Gold Finish On Contact Area Tin plated on Solder tail All over Nickel Plated.
A	HOUSING	1	LCP	BLACK
NO	DESCRIPTION	QTY	MATERIAL	PLATING & COLOR
UNLESS OTHERWISE SPECIFIED TOLERANCES				
DECIMALS: ANGLES:				
X.XX :±0.5 X :±2°				
X.X :±0.3 X.X :±1°				
X.XX :±0.2				
TITLE: MINI 10P公头绿PCB插座=16.2 (10点) 电阻330k				
PART NO.		1031002GR025		
DWG		MIKE		
CHKD		2013.03.27		
APVD				
SCALE 1:1		UNIT: mm		
CUSTOMER COPY		SIZE: A4	SHEET: 10F1	REV: A