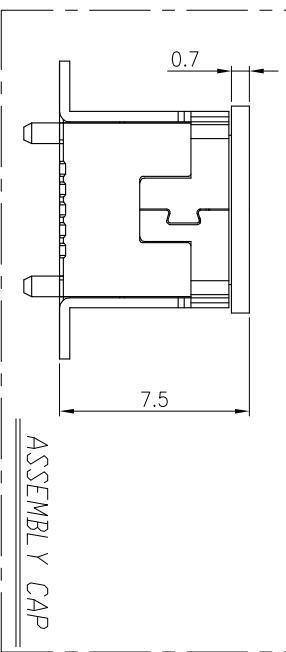
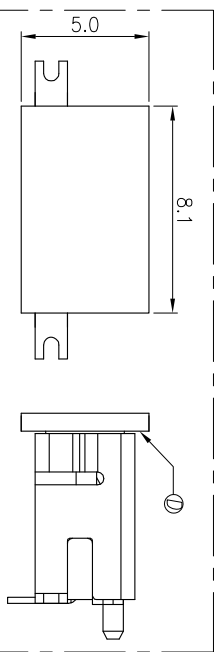
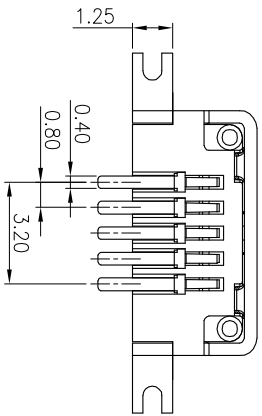
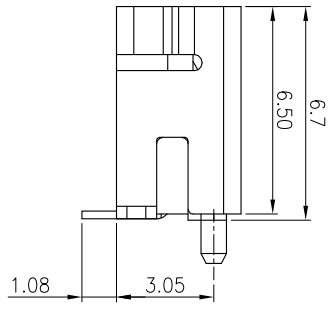
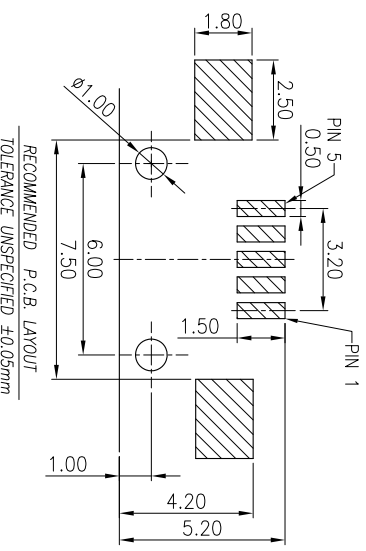
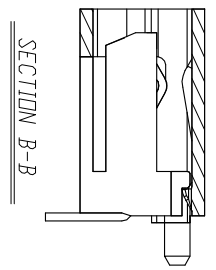
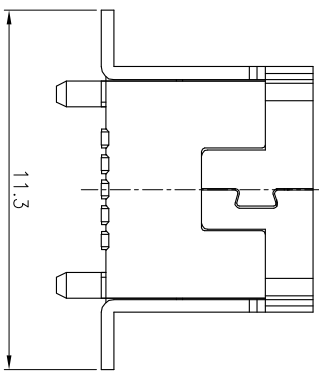
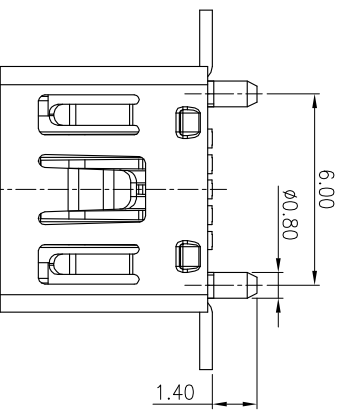


THIS INFORMATION IS CONFIDENTIAL AND IS DISCLOSED TO YOU ON CONDITION THAT NO FURTHER DISCLOSURE IS MADE BY YOU TO OTHER THAN TETULL PERSONNEL WITHOUT WRITTEN AUTHORIZATION FROM TETULL LTD.



1 2 3 4 5 6 7 8

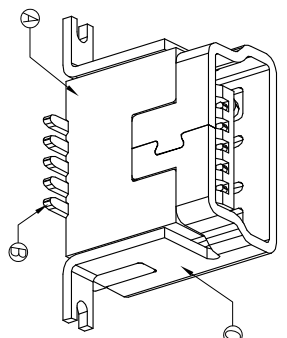
1 2 3 4 5 6 7 8



REV.	ECN NO OR DESCRIPTION	REVISED	DATE
B	MODIFY	ARES	2020.05.27

NOTE:

- ELECTRICAL CHARACTERISTICS
 - 1-1. VOLTAGE RATING: 30V AC
 - 1-2. CURRENT RATING: 1.0A
 - 1-3. CONTACT RESISTANCE: 50 milliohms MAX.
 - 1-4. INSULATION RESISTANCE: 100 Megohms MIN.
 - 1-5. DIELECTRIC WITHSTANDING VOLTAGE: 500V AC FOR 1 MINUTE.
- MECHANICAL CHARACTERISTICS
 - 2-1. MATING&UNMATING FORCE: 0.7kgf~3.5kgf
 - 2-2. DURABILITY: 5000 CYCLES
 - 3. SALT SPRAY: 24H
 - 4. OPERATING TEMPERATURE: -40°C~85°C
 - 5. RoHS 2002/95/EC COMPLIANT.
 - 6. MPQ : SEE TABLE.



SHELL	SHIELD
5	GND
4	ID
3	D+
2	D-
1	VBUS
	PIN NAME
	PIN ASSIGNMENT

TABLE:

DESCRIPTION	QTY	MATERIAL	PLATING & COLOR
D CAP	1	THERMOPLASTIC U94-40	BLACK
C SHIELD	1	COPPER ALLOY 0.40T	Ni&Ti PLATED
B TERMINAL	5	COPPER ALLOY 0.25T	Gold Flash On Contact Area Tin plated on Solder tail All over Nickel Plated.
A HOUSING	1	THERMOPLASTIC U94-40	BLACK

UNLESS OTHERWISE SPECIFIED TOLERANCES

DECIMALS:	ANGLES:
X :±0.5	X :±2°
X.X :±0.3	X.X :±1°
X.XX :±0.2	

TETULL

Mini usb FM 5P SMT (ST) TYPE

PART NO.	1030512AX001
DWN	ARES
CHKD	2020.05.27
APVD	
SCALE 1:1	UNIT: mm
SIZE: A4	SHEET: 10F1
CUSTOMER COPY	REV: B