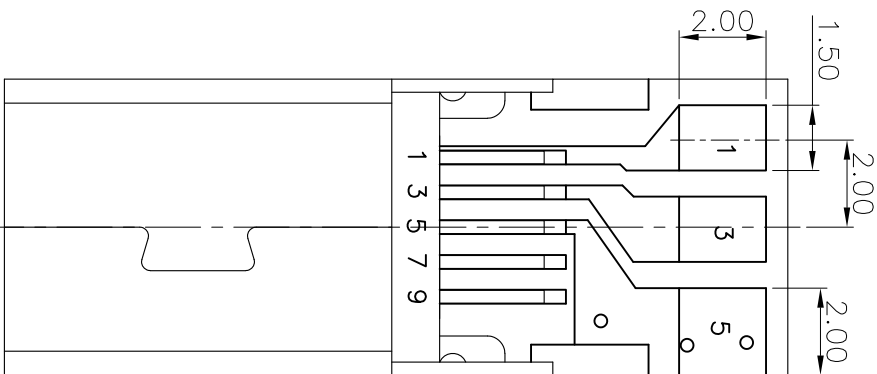
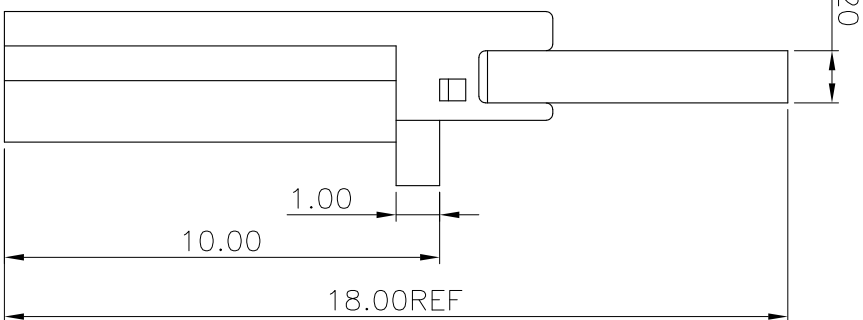
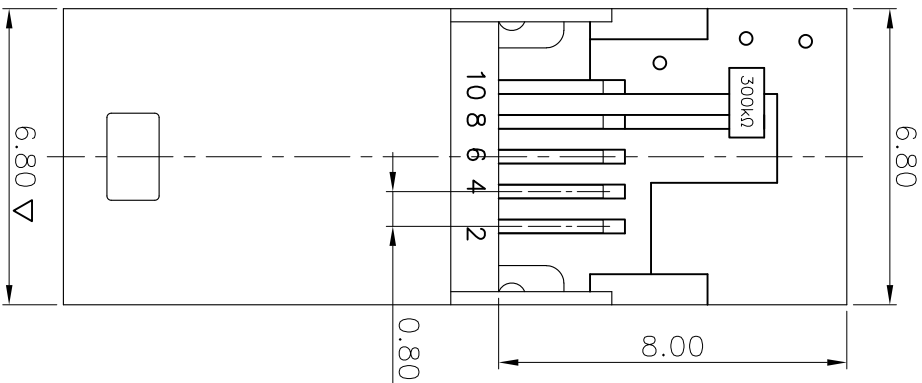
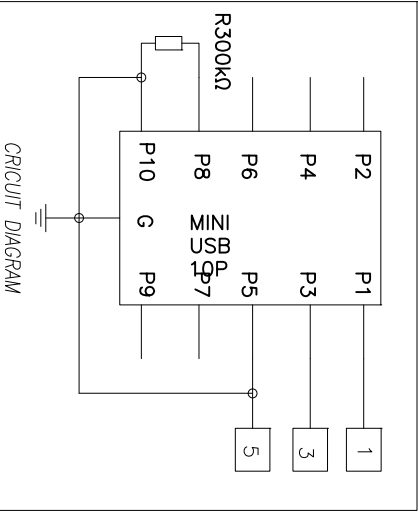
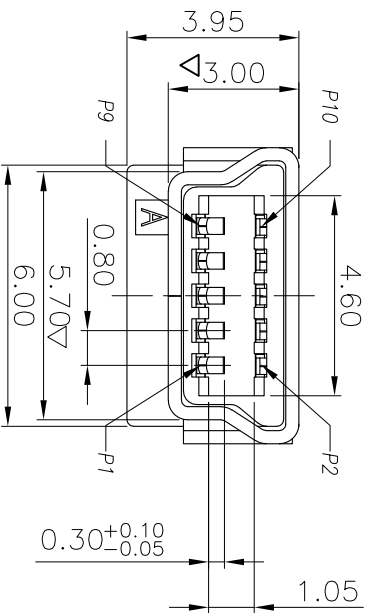


THIS INFORMATION IS CONFIDENTIAL AND IS DISCLOSED TO YOU ON CONDITION THAT NO FURTHER DISCLOSURE IS MADE BY YOU TO OTHER THAN TETULL PERSONNEL WITHOUT WRITTEN AUTHORIZATION FROM TETULL LTD.



- NOTE:
1. ELECTRICAL CHARACTERISTICS
 - 1-1. VOLTAGE RATING: 30V AC
 - 1-2. CURRENT RATING: 2.0A
 - 1-3. CONTACT RESISTANCE: 50 milliohms MAX.
 - 1-4. INSULATION RESISTANCE: 100 Megohms MIN.
 - 1-5. DIELECTRIC WITHSTANDING VOLTAGE: 500V AC FOR 1 MINUTE.
 2. MECHANICAL CHARACTERISTICS
 - 2-1. MATING&UNMATING FORCE: 0.7kgf~3.5kgf
 - 2-2. DURIBILITY: 10000CYCLES
 - 3. SALT SPRAY: 24H
 - 4. OPERATING TEMPERATURE: -40°C~85°C
 - 5. RoHS 2002/95/EC COMPLIANT.
 - 6. CRITICAL DIMENSIONS : ▽

REV.	ECN NO OR DESCRIPTION	REVISED	DATE
A	PRODUCT RELEASE	MKE	2015.03.27
B	MODIFY	BROKEN	2017.10.14



NO	DESCRIPTION	QTY	MATERIAL	PLATING & COLOR
D	PCB	1	FR4-1	T-050
C	SHELL	1	SPEC 0.30t	AU PLATING
B	CONTACT	10	C5191 0.20t	Gold Flash On Contact Area Tin plated on Solder tail All over Nickel Plated.
A	HOUSING	1	LCP	BLACK

UNLESS OTHERWISE SPECIFIED TOLERANCES

DECIMALS: ANGLES:

X.X : ±0.5 X : ±2°
X.X : ±0.3 X.X : ±1°
X.XX : ±0.2

TITLE: MINI USB 10P PLUG CLAMP TYPE
PART NO. 1031002GR065
DWG BROKEN 2017.10.14
CHKD
APVD
SCALE 1:1 UNIT: mm
CUSTOMER COPY SIZE: A4 SHEET: 10F1 REV: B