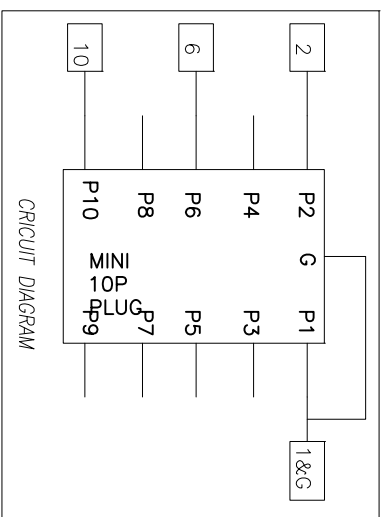
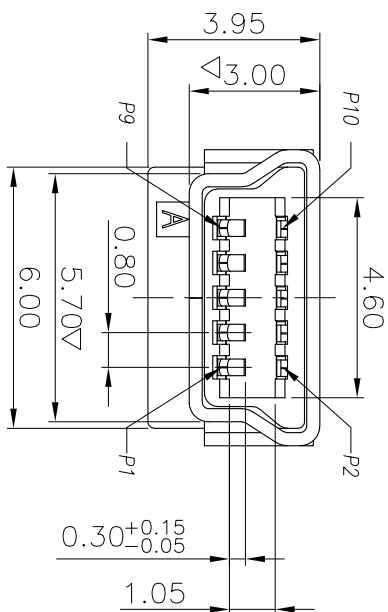
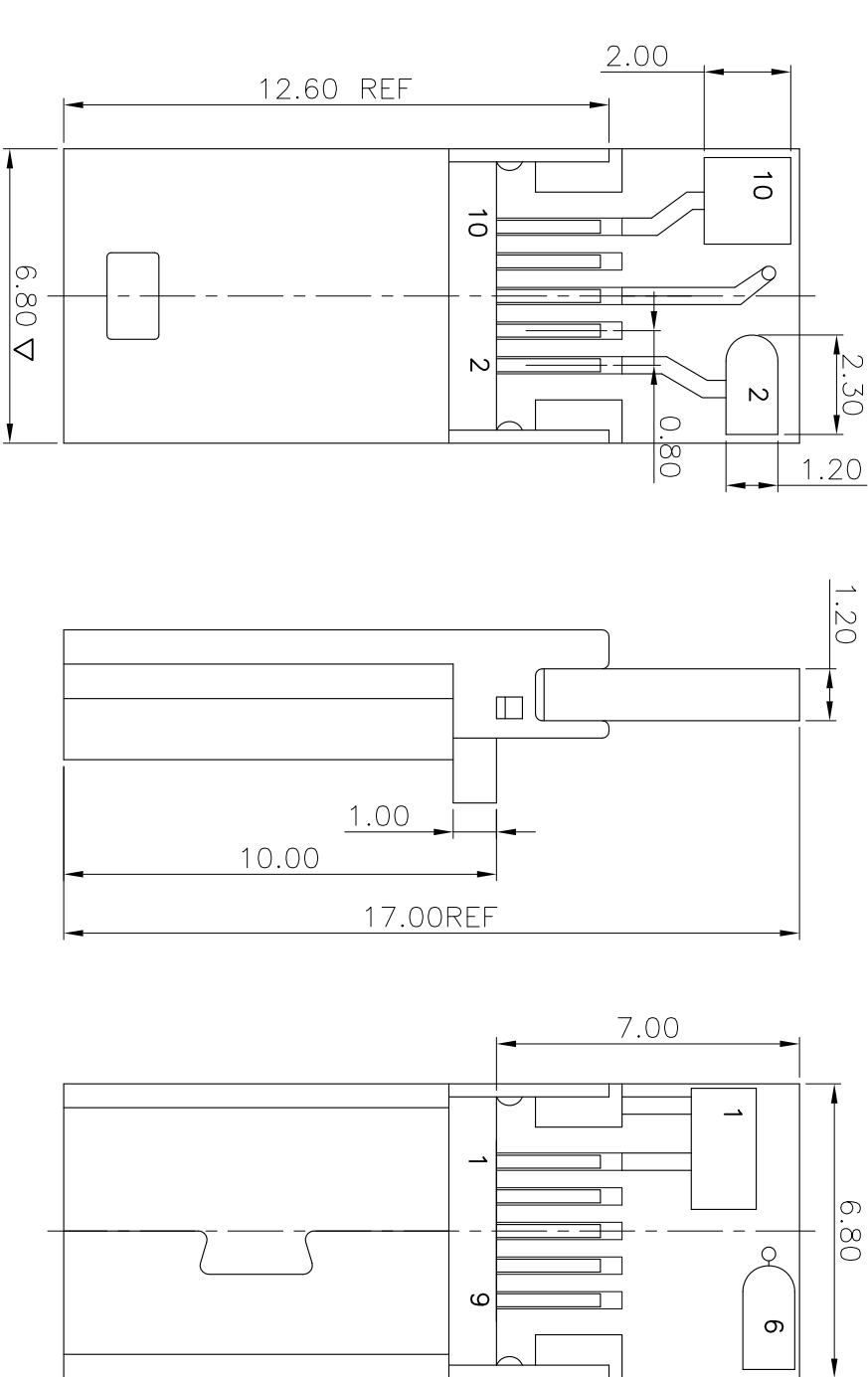


THIS INFORMATION IS CONFIDENTIAL AND IS DISCLOSED TO YOU ON CONDITION THAT NO FURTHER DISCLOSURE IS MADE BY YOU TO OTHER THAN TETULL PERSONNEL WITHOUT WRITTEN AUTHORIZATION FROM TETULL LTD.



REV	ECN NO OR DESCRIPTION	REVISED	DATE
A	PRODUCT RELEASE	MKE	2012.09.25

NOTE:

- ELECTRICAL CHARACTERISTICS
 - VOLTAGE RATING:30V AC
 - CURRENT RATING:2.0A
 - CONTACT RESISTANCE: 50 milliohms MAX.
 - INSULATION RESISTANCE: 100 Megohms MIN.
 - DIELECTRIC WITHSTANDING VOLTAGE: 500V AC FOR 1 MINUTE.
- MECHANICAL CHARACTERISTICS
 - MATING&UNMATING FORCE: 0.7kgf~3.5kgf
 - DURIBILITY:10000CYCLES
 - SALT SPRAY: 24H
 - OPERATING TEMPERATURE:-40°C~85°C
 - ROHS 2002/95/EC COMPLIANT.
 - CRITICAL DIMENSIONS : ▽

NO	DESCRIPTION	QTY	MATERIAL	PLATING & COLOR
D	PCB	1	FR4-1	表面綠漆
C	SHELL	1	BRASS 0.30t	N: PLATING
B	CONTACT	10	C5191 0.20t	Gold Flash On Contact Area Tin plated on Solder tail All over Nickel Plated.
A	HOUSING	1	LCP	BLACK

TITLE:	
MINI 10P公头綠PCB轉孔=17.0	(4点1-6、2、6、10)
PART NO.	1031002GR019
DWG	MIKE
CHKD	2012.09.25
APVD	
SCALE 1:1	UNIT: mm
SIZE: A4	SHEET: 10F1
CUSTOMER COPY	REV: A

