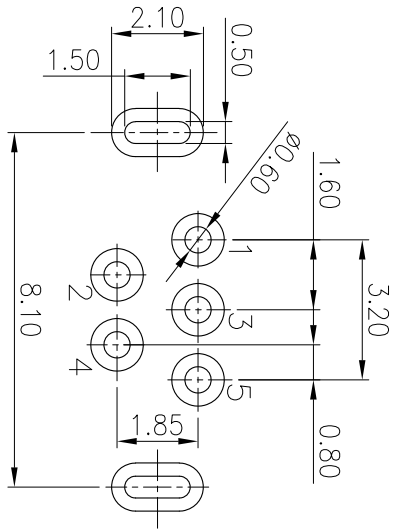
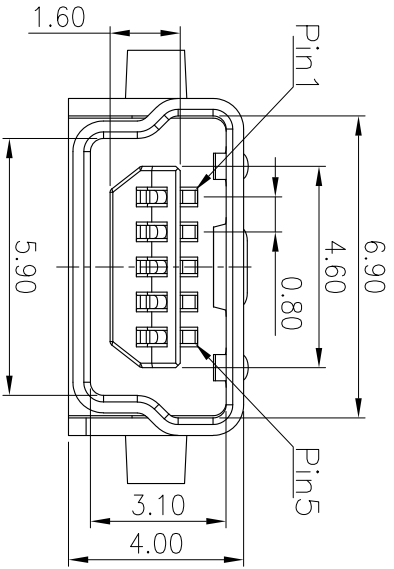
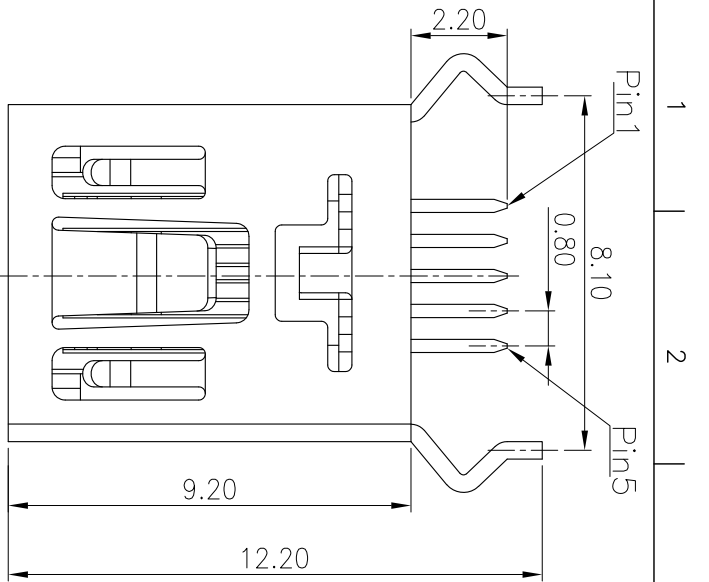
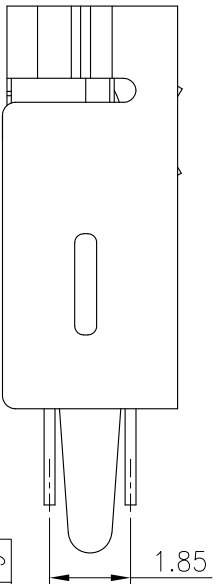


THIS INFORMATION IS CONFIDENTIAL AND IS DISCLOSED TO YOU ON CONDITION THAT NO FURTHER DISCLOSURE IS MADE BY YOU TO OTHER THAN TETULL PERSONNEL WITHOUT WRITTEN AUTHORIZATION FROM TETULL LTD.



RECOMMENDED P.C.B. LAYOUT
TOLERANCE UNSPECIFIED ±0.05mm



SPECIFICATIONS:

- ELECTRICAL CHARACTERISTICS
 - 1-1. VOLTAGE RATING:30V AC
 - 1-2. CURRENT RATING:1.0A
 - 1-3. CONTACT RESISTANCE: 50 milliohms MAX.
 - 1-4. INSULATION RESISTANCE: 100 Megohms MIN.
 - 1-5. DIELECTRIC WITHSTANDING VOLTAGE: 500V AC FOR 1 MINUTE.
- MECHANICAL CHARACTERISTICS
 - 2-1. RETENTION FORCE:MIN.300gf/PIN
 - 2-2. DURIBILITY:5000CYCLES
- OPERATING TEMPERATURE:-55°C~85°C
- RoHS 2011/65/EU COMPLIANT.

SHELL	SHIELD
5	GND
4	ID
3	D+
2	D-
1	VBUS
PIN	NAME
PIN ASSIGNMENT	

C	SHIELD	1	COPPER ALLOY 0.30T	Ni&Tin PLATED
B	TERMINAL	5	COPPER ALLOY 0.25T	Gold Flash On Contact Area Tin plated on Solder tail All over Nickel Plated.
A	HOUSING	1	THERMOPLASTIC U94-10	BLACK
NO	DESCRIPTION	QTY	MATERIAL	PLATING & COLOR
UNLESS OTHERWISE SPECIFIED TOLERANCES				
DECIMALS:	ANGLES:			
X : ±0.5	X : ±2°			
X.X : ±0.3	X.X : ±1'			
X.XX : ±0.2				
TITLE: MINI USB 5P 母 180度立插				
PART NO.	1030506A1001			
DMW	ARES			
CHKD	2015.09.25			
APVD				
SCALE 1:1	UNIT: mm			
SIZE: A4	SHEET: 10F1			
CUSTOMER COPY				

