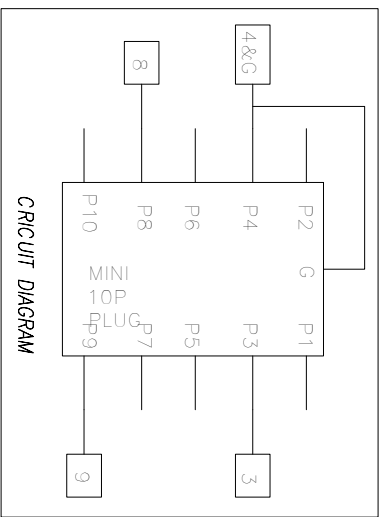
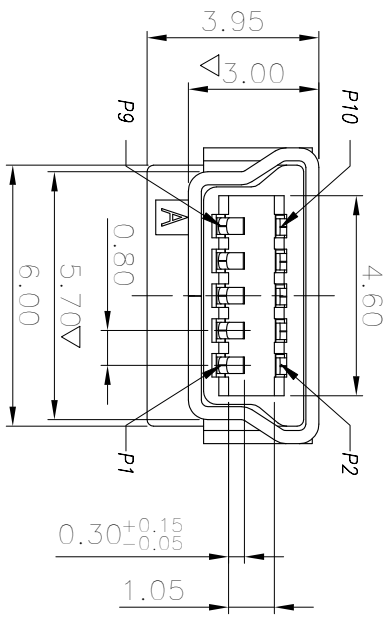
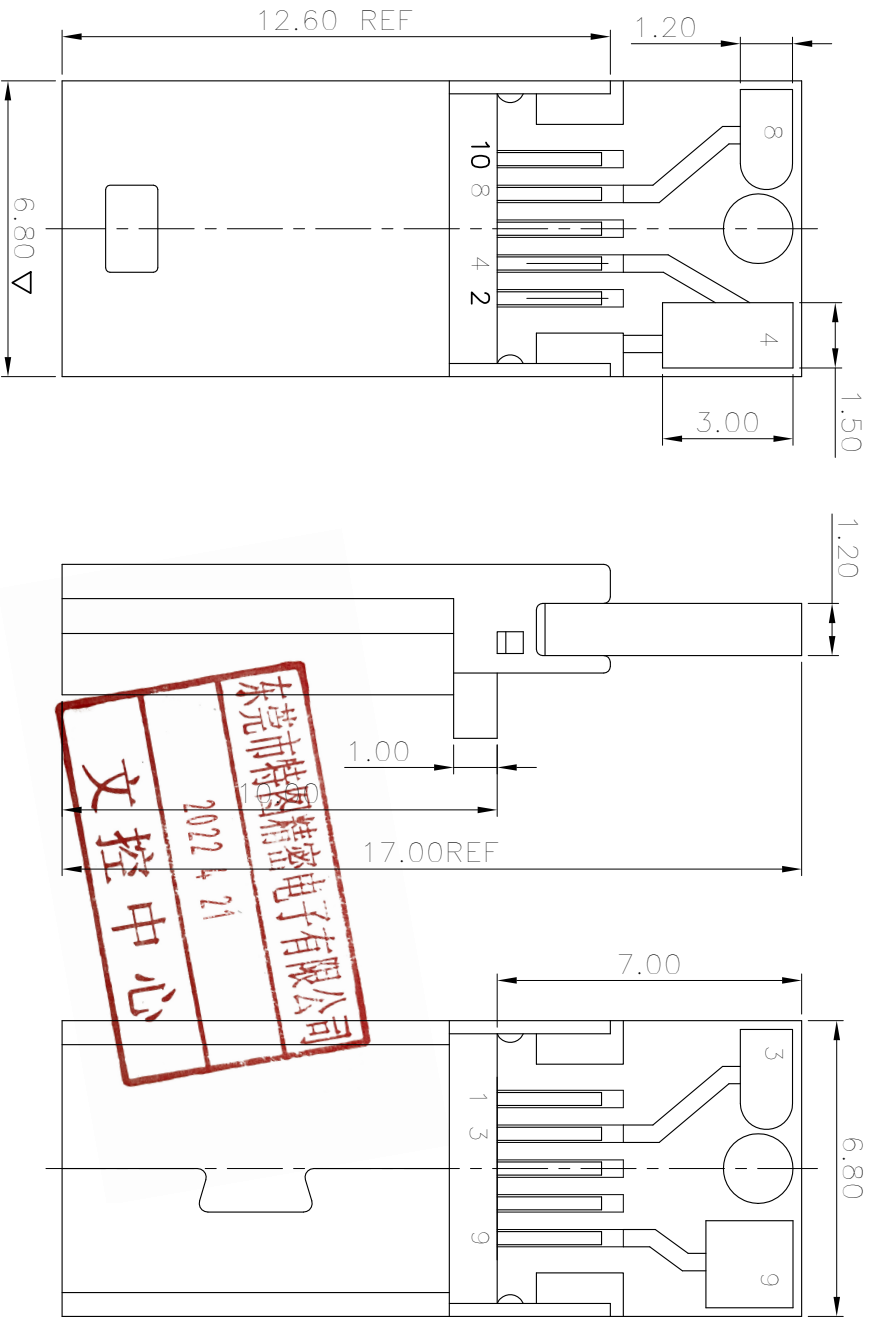


THIS INFORMATION IS CONFIDENTIAL AND IS DISCLOSED TO YOU ON CONDITION THAT NO FURTHER DISCLOSURE IS MADE BY YOU TO OTHER THAN TETULL PERSONNEL WITHOUT WRITTEN AUTHORIZATION FROM TETULL LTD.



D	PCB	1	FR4-1	表面喷漆
C	SHELL	1	BRASS 0.30t	Ni PLATING
B	CONTACT	10	CS191 0.20t	Gold Flash On Contact Area Tin plated on Solder tail All over Nickel Plated.
A	HOUSING	1	LCP	BLACK
NO	DESCRIPTION	QTY	MATERIAL	PLATING & COLOR
UNLESS OTHERWISE SPECIFIED TOLERANCES				
DECIMALS: ANGLES:				
X	:±0.5	X	:±2°	
X.X	:±0.3	X.X	:±1°	
X.XX	:±0.2			
TITLE: MINI 10P公头-蓝PCB铜壳L=17.0 (4点3、4-6、8、9)音频				
PART NO. 1031002GR020				
DWG CHKD MIKE 2012.09.25				
APVD				
SCALE 1:1				
UNIT: mm				
SHEET: 10F1				
REV: A				

REV/ECN	NO OR DESCRIPTION	REVISED	DATE
A	PRODUCT RELEASE	MIKE	2012.09.25

NOTE:

- ELECTRICAL CHARACTERISTICS
 - 1-1. VOLTAGE RATING:30V AC
 - 1-2. CURRENT RATING:2.0A
 - 1-3. CONTACT RESISTANCE: 50 milliohms MAX.
 - 1-4. INSULATION RESISTANCE: 100 Megohms MIN.
 - 1-5. DIELECTRIC WITHSTANDING VOLTAGE: 500V AC FOR 1 MINUTE.
- MECHANICAL CHARACTERISTICS
 - 2-1. MATING&UNMATING FORCE: 0.7kgf~3.5kgf
 - 2-2. DURIBILITY:10000CYCLES
 - 3. SALT SPRAY: 24H
 - 4. OPERATING TEMPERATURE:-40C~85C
 - 5. ROHS 2002/95/EC COMPLIANT.
 - 6. CRITICAL DIMENSIONS : ▽

