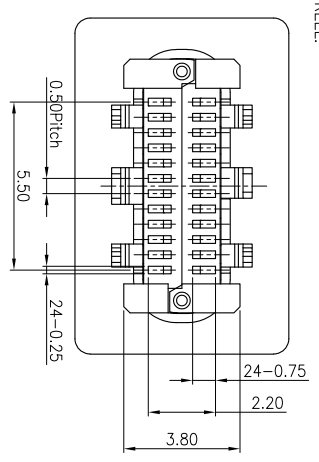
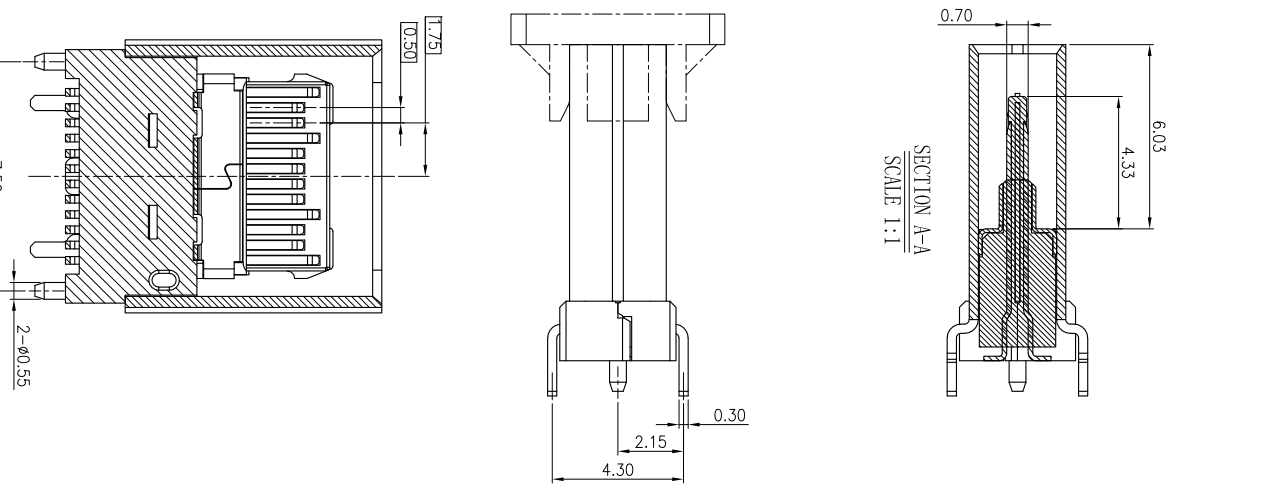
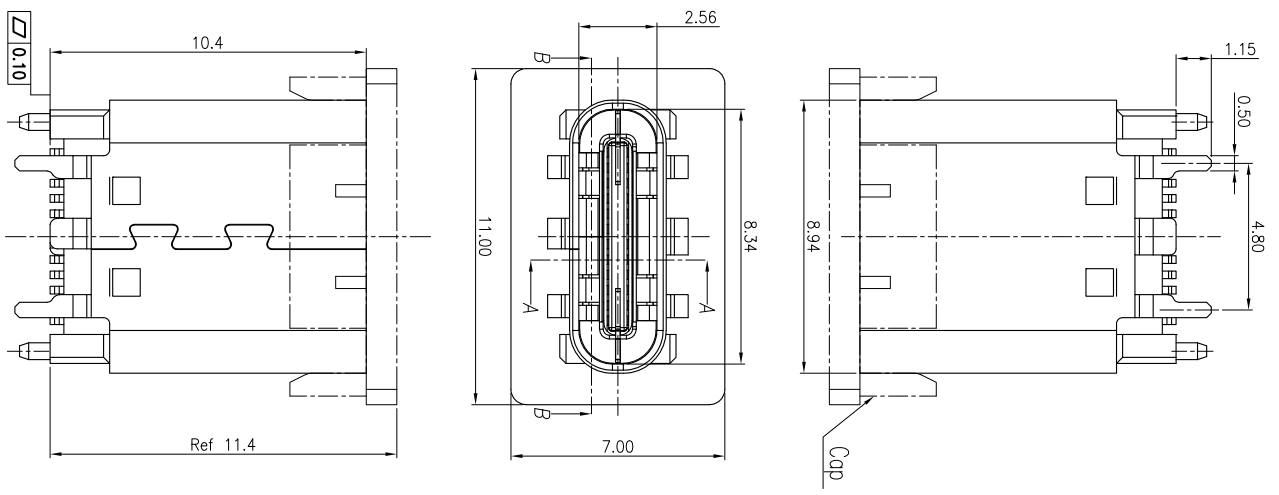


THIS INFORMATION IS CONFIDENTIAL AND IS DISCLOSED TO YOU ON CONDITION THAT NO FURTHER DISCLOSURE IS MADE BY YOU TO OTHER THAN TETULL PERSONNEL WITHOUT WRITTEN AUTHORIZATION FROM TETULL LTD.



NOTE:
 1. ELECTRICAL CHARACTERISTICS
 1-1. VOLTAGE RATING: 20V MAX
 1-2. CURRENT RATING: 5.0A MAX
 1-3. CONTACT RESISTANCE: 40 milliohms MAX.
 1-4. INSULATION RESISTANCE: 100 Megohms MIN.
 1-5. DIELECTRIC WITHSTANDING VOLTAGE: 100V AC
 FOR 1 MINUTE.
 2. MECHANICAL CHARACTERISTICS
 2-1. MATING FORCE: 5~20N
 2-2. UNMATING FORCE: 8~20N
 2-3. DURABILITY: 10000 CYCLES
 3. SALT SPRAY: 24H
 4. OPERATING TEMPERATURE: -40C~85C
 5. ROHS 2002/95/EC COMPLIANT.
 6. MPQ : 450PCS/REEL.

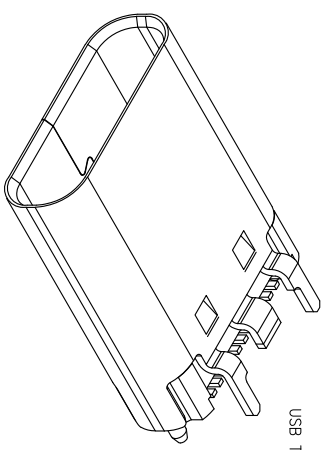
REV	ECN NO	OR	DESCRIPTION	REVISED	DATE
A			PRODUCT RELEASE	JAMES	2016/01/22
B			MODIFY	BROKEN	2020/12/28

NO	DESCRIPTION	QTY	MATERIAL	PLATING & COLOR
F	CAP	1	HIGH TEMPERATURE PLASTIC UJ94-10	BLACK
E	SHELL	1	STAINLESS STEEL 0.30t	Ni PLATING
D	EMI	1	STAINLESS STEEL 0.12t	---
C	SHIELD CONTACT	1	STAINLESS STEEL 0.12t	Ni PLATING
B	CONTACT	24	COPPER ALLOY 0.15t	3u" Au On Contact Area Gold Flush on Solder tail All over Nickel Plated.
A	HOUSING	1	HIGH TEMPERATURE PLASTIC UJ94-10	BLACK

DECIMALS:	ANGLES:
X : ±0.5	X : ±2°
X.X : ±0.3	X.X : ±1'
X.XX : ±0.2	

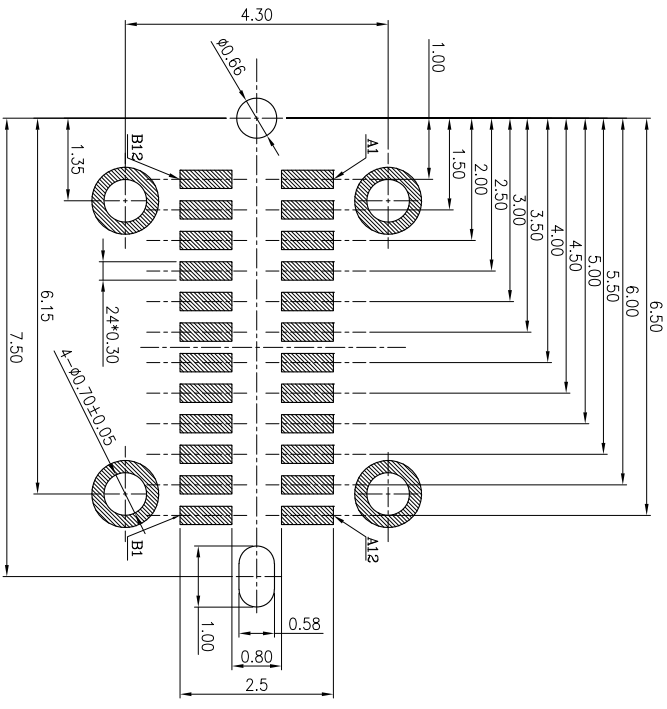
TITLE:	SCALE:
USB 3.1 24P TH SMT TYPE	1:1
PART NO. 1022406GR001	
DWN BROKEN	
CHKD	
APVD	
SIZE: A4	UNIT: mm
CUSTOMER COPY	SHEET: 10F2
	REV: B

THIS INFORMATION IS CONFIDENTIAL AND IS DISCLOSED TO YOU ON CONDITION THAT NO FURTHER DISCLOSURE IS MADE BY YOU TO OTHER THAN TETULL PERSONNEL WITHOUT WRITTEN AUTHORIZATION FROM TETULL LTD.



USB TYPE-C FULL-FEATURED RECEPTACLE INTERFACE PIN ASSIGNMENTS

PIN	Signal Name	Description	PIN	Signal Name	Description
A1	GND	Ground return	B12	GND	Ground return
A2	SSTxp1	Positive half of first SuperSpeed TX differential pair	B11	SSRxp1	Positive half of first SuperSpeed RX differential pair
A3	SSTxn1	Negative half of first SuperSpeed TX differential pair	B10	SSRxn1	Negative half of first SuperSpeed RX differential pair
A4	Vbus	Bus Power	B9	VBUS	Bus Power
A5	CC1	Configuration Channel	B8	SBU2	Sideband Use(SBU)
A6	Dp1	Positive half of the USB 2.0 differential pair—Position 1	B7	Dn2	Positive half of the USB 2.0 differential pair—Position 2
A7	Dn1	Negative half of the USB 2.0 differential pair—Position 1	B6	Dp2	Negative half of the USB 2.0 differential pair—Position 2
A8	SBU1	Sideband Use(SBU)	B5	CC2	Configuration Channel
A9	VBUS	Bus Power	B4	VBUS	Bus Power
A10	SSRxn2	Negative half of second SuperSpeed RX differential pair	B3	SSTxn2	Negative half of second SuperSpeed TX differential pair
A11	SSRxp2	Positive half of second SuperSpeed RX differential pair	B2	SSTxp2	Positive half of second SuperSpeed TX differential pair
A12	GND	Ground return	B1	GND	Ground return



RECOMMENDED P.C.B. LAYOUT (T:1.00mm)
TOLERANCE UNSPECIFIED ±0.05mm

REV.	ECN NO OR DESCRIPTION	REVISED	DATE
A	PRODUCT RELEASE	JAMES	2016.01.22
B	MODIFY	BROKEN	2020.12.28

F	CAP	1	HIGH TEMPERATURE PLASTIC U94-40	BLACK
E	SHELL	1	STAINLESS STEEL 0.30t	Ni PLATING
D	EMI	1	STAINLESS STEEL 0.12t	-----
C	SHIELD CONTACT	1	STAINLESS STEEL 0.12t	Ni PLATING
B	CONTACT	24	COPPER ALLOY 0.15t	3u" Au On Contact Area Gold Flash on Solder Tail All over Nickel Plated.
A	HOUSING	1	HIGH TEMPERATURE PLASTIC U94-40	BLACK
NO	DESCRIPTION	QTY	MATERIAL	PLATING & COLOR

UNLESS OTHERWISE SPECIFIED TOLERANCES

DECIMALS:	ANGLES:
X :±0.5	X :±2°
X.X :±0.3	X.X :±1°
X.XX :±0.2	

TITLE: USB 3.1 24P TH SMT TYPE

PART NO.	1022406GR001
DWN	BROKEN
CHKD	2020.12.28
APVD	

SCALE 1:1 UNIT: mm

CUSTOMER COPY SIZE: A4 SHEET: 2012 REV: B