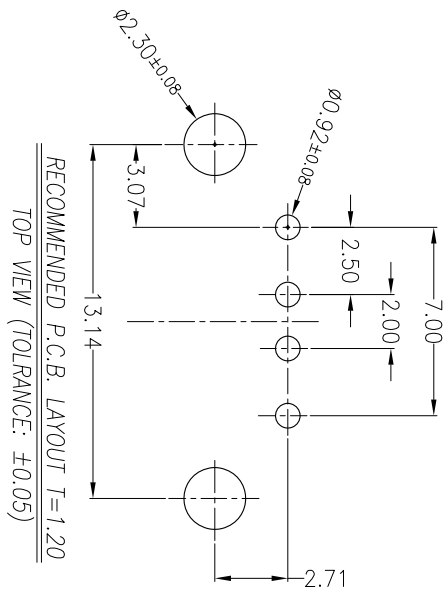
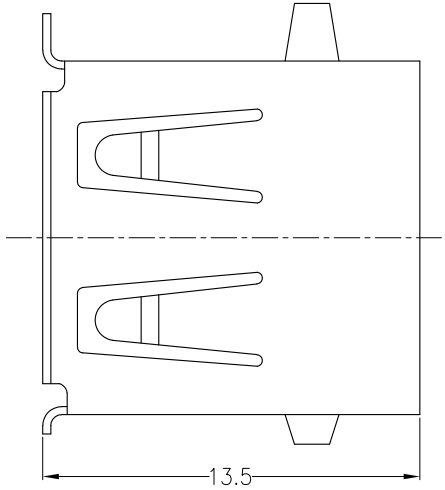


THIS INFORMATION IS CONFIDENTIAL AND IS DISCLOSED TO YOU ON CONDITION THAT NO FURTHER DISCLOSURE IS MADE BY YOU TO OTHER THAN TETULL PERSONNEL WITHOUT WRITTEN AUTHORIZATION FROM TETULL LTD.



RECOMMENDED P.C.B. LAYOUT T=1.20
TOP VIEW (TOLERANCE: ±0.05)

NOTE:

- ELECTRICAL CHARACTERISTICS
 - VOLTAGE RATING: 30V MAX
 - CURRENT RATING: 2.0A MAX
 - CONTACT RESISTANCE: 30 milliohms MAX.
 - INSULATION RESISTANCE: 1000 Megohms MIN.
 - DIELECTRIC WITHSTANDING VOLTAGE: 500V AC FOR 1 MINUTE.
- MECHANICAL CHARACTERISTICS
 - MATING FORCE: 35N MAX
 - UNMATING FORCE: 10N MIN
 - DURIBILITY: 5000 CYCLES
 - SALT SPRAY: 24H
 - OPERATING TEMPERATURE: -40°C~85°C
 - RoHS 2002/95/EC COMPLIANT.
 - MPQ : 100PCS/TRAY.

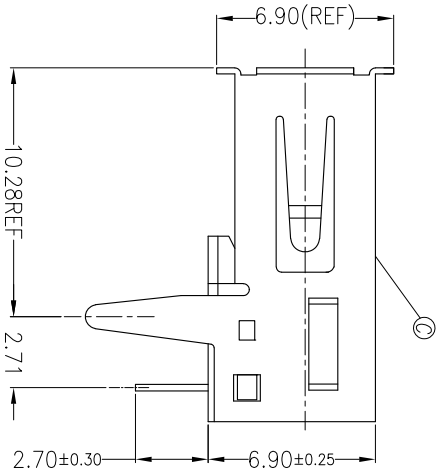
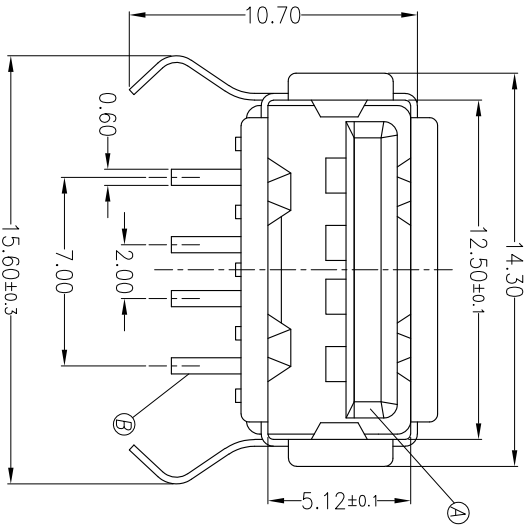


TABLE:

COPPER ALLOY	BLACK	1020401AT101
COPPER ALLOY	WHITE	1020401AT104
SPCC	BLACK	1020401AT001
SPCC	WHITE	1020401AT004
SHELL	COLOR	P/N

C	SHELL	1	SEE TABLE	Ni PLATING
B	TERMINAL	4	COPPER ALLOY	Gold Flash On Contact Area Tin plated on Solder tail All over Nickel Plated.
A	HOUSING	1	THERMOPLASTIC UL94-V0	SEE TABLE
NO	DESCRIPTION	QTY	MATERIAL	PLATING & COLOR

UNLESS OTHERWISE SPECIFIED TOLERANCES

DECIMALS:	ANGLES:
X : ±0.5	X : ±2°
X.X : ±0.3	X.X : ±1'
X.XX : ±0.2	

REV.	ECN NO.	OR DESCRIPTION	REVISED	DATE
A		PRODUCT RELEASE	ARES	2012.11.29

TETULL CORPORATION

CUSTOMER COPY

TITLE:	USB AF 4P 90D DIP STD (弯脚卷边)
PART NO.	1020401ATXXX
DWN	ARES
CHKD	2012.11.29
APVD	
SCALE 1:1	UNIT: mm
SIZE: A4	SHEET: 10F1
	REV: A